

## OXYGEN 4SE 5V

## Technical Specification

<i>Sensor Type</i>	SEC O <sub>2</sub> 25 Sensor 4 SE 5V
<i>Detectable Gases</i>	Oxygen
<i>Part Number</i>	01-34-30-02
<i>Measuring Principle</i>	Amperometric 3-electrode sensor
<i>Contact</i>	4 pin socket connector (spacing 2,54 mm)
<i>Standard Range</i>	0.0 – 30.0 Vol. %
<i>Lower Detectable Limit (LDL)</i>	0.1 Vol. %
<i>Maximum Range</i>	40 Vol. %
<i>Long Term Sensitivity Drift</i>	< 0.1 Vol. % / 6 month
<i>Linearity at standard range</i>	linear
<i>Repeatability</i>	> 98 % of signal
<i>Sensitivity</i>	100 mV / % O <sub>2</sub>
<i>Signal Out</i>	0 - 4,8 VDC
<i>Adjusted</i>	2,1 VDC = 21 % O <sub>2</sub>
<i>Power Supply</i>	8 - 24 VDC
<i>Amplification</i>	With trim potentiometer
<i>Power On</i>	LED signal green
<i>Alarm</i>	LED signal red
<i>Response time at target level</i>	
T50	< 5 s
T90	< 15 s
<i>Sensor warm up time typically</i>	10 min
(Pre-powered)	(10 s)
<i>Operating conditions</i>	- 20°C ... +50°C
	10 ... 95 % r. h.
<i>Pressure dependence</i>	linear
<i>Expected life time</i>	> 3 years

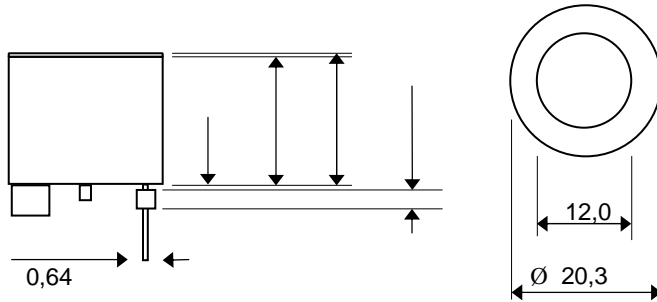


*To set Alarm signal, you have to trim potentiometer*

## OXYGEN 4SE 5V

Sensor dimensions

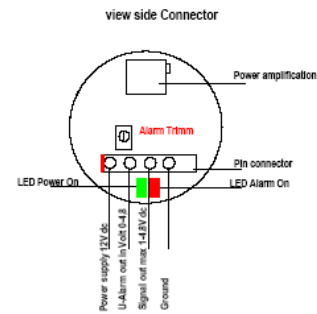
Ø 20,3 mm; High 26,5 mm



\* soldering to the pins will damage the sensor

## Temperature Dependence

(± 0,15 mm tolerance)



## OXYGEN 4SE 5V

Temperature compensated

## Temperature Dependence

## OXYGEN 4SE 5V

N.A.

## Cross Sensitivity

### Note:

The sensor can be used in applications of high CO<sub>2</sub> level due to the fact that it contains an acid electrolyte.

Test conditions at 20°C/ 1013 hPa, Flow Rate > 500 qcm/min  
 Cross sensitivity gases are not target gases. Relation can change with aging.

SolidSense GmbH believes the data contained herein are factual, and the opinions expressed are of qualified experts regarding the results of tests conducted, the data are not to be taken as warranty or representation which SolidSense assumes legal responsibility. The data are offered solely for consideration, investigation, and verification. Any use of these data and information must be determined by the user to be in accordance with federal, state, and local laws and regulations. Specifications are subject to change without notice.