

OXYGEN Micro Technical Specification

Sensor Type	O ₂ Sensor Micro
Detectable Gases	Oxygen
Part Number	01-27-30-01
Measuring Principle	Amperometric 3-electrode sensor
Contact	3 pins* non solderable
Standard Range	0.0 – 30.0 Vol. %
Lower Detectable Limit (LDL)	0.1 Vol. %
Maximum Range	50 Vol. %
Bias Voltage	- 400 to -600 mV
Long Term Sensitivity Drift	< 0.1 Vol. % / 6 month
Linearity at standard range	linear
Repeatability	> 98 % of signal
Current at 21 Vol. % Oxygen	7 – 11 µA
Sensitivity	~ 0,04 nA/ppm
Response time at target level	
T50	< 5 s
T90	< 15 s
Sensor warm up time typically	10 min
(Pre-powered)	(10) s
Operating conditions	- 20°C ... +50°C 10 ... 95 % r. h.
Pressure dependence	linear
Expected life time	> 3 years

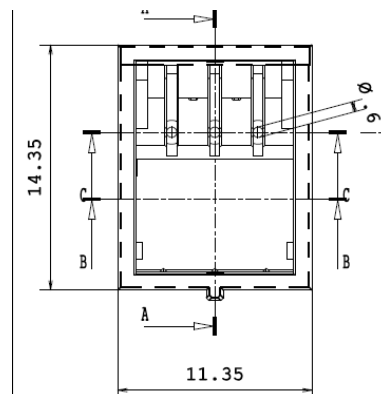
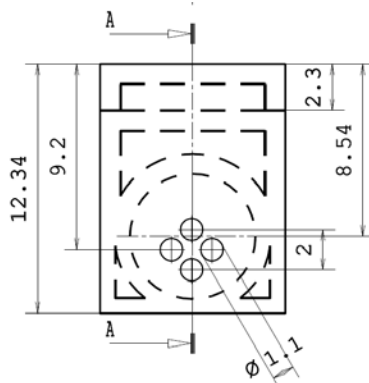


OXYGEN Micro Dimensional Drawing

Sensor dimensions without pins

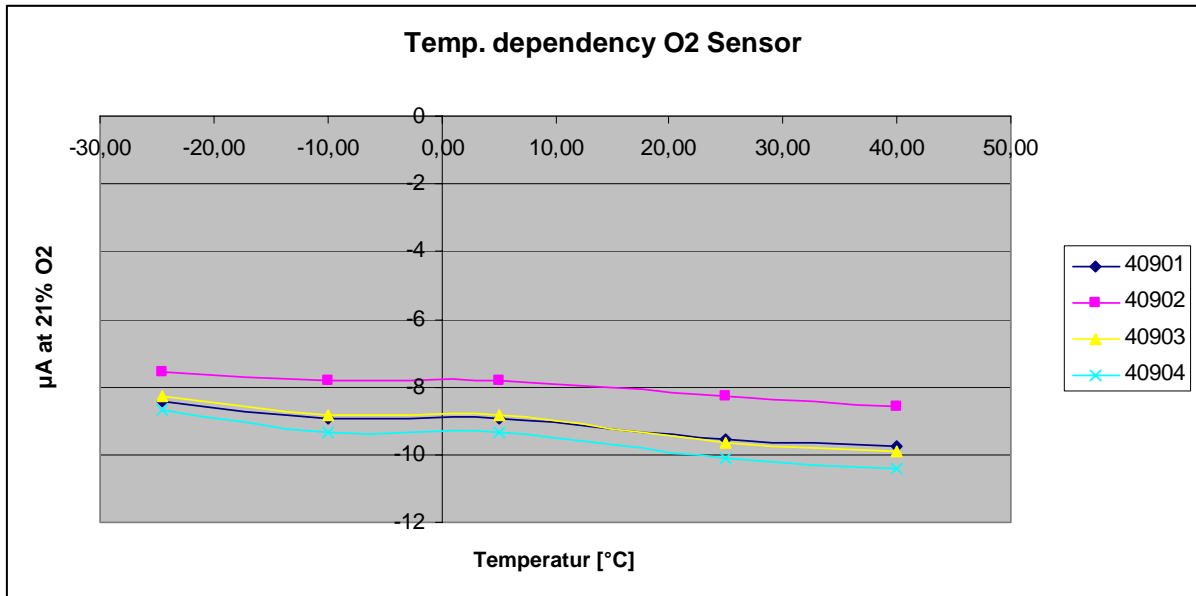
6,5 mm x 11,4 mm x 14,4 mm

± 0,15 mm tolerance



* soldering to the pins will damage the sensor

OXYGEN Micro **Temperature Dependence**



OXYGEN Micro **Cross Sensitivity**

N.A.

Note:

The sensor can be used in applications of high CO₂ level due to the fact that it contains an acid electrolyte.

Test conditions at 20°C/ 1013 hPa, Flow Rate > 500 qcm/min
 Cross sensitivity gases are not target gases. Relation can change with aging.

SolidSense GmbH believes the data contained herein are factual, and the opinions expressed are of qualified experts regarding the results of tests conducted, the data are not to be taken as warranty or representation which SolidSense assumes legal responsibility. The data are offered solely for consideration, investigation, and verification. Any use of these data and information must be determined by the user to be in accordance with federal, state, and local laws and regulations. Specifications are subject to change without notice.