

Carbon Monoxide Sensor 0-1000 ppm

Performance Characteristics

Part Number	CLE-0013-700
Nominal Range	0 to 1000 ppm
Maximum Overload	2000 ppm
Sensitivity	0.085 ± 0.025µA/ppm
Baseline (20 °C)	< ±0.2 µA
Baseline Drift (-20 to 50 °C)	0 to 3 ppm equivalent
Resolution	0.5 ppm
Response Time (T90)	≤ 30 seconds
Linearity	Linear
Long Term Output Drift	< 2% signal/month

Operation Conditions

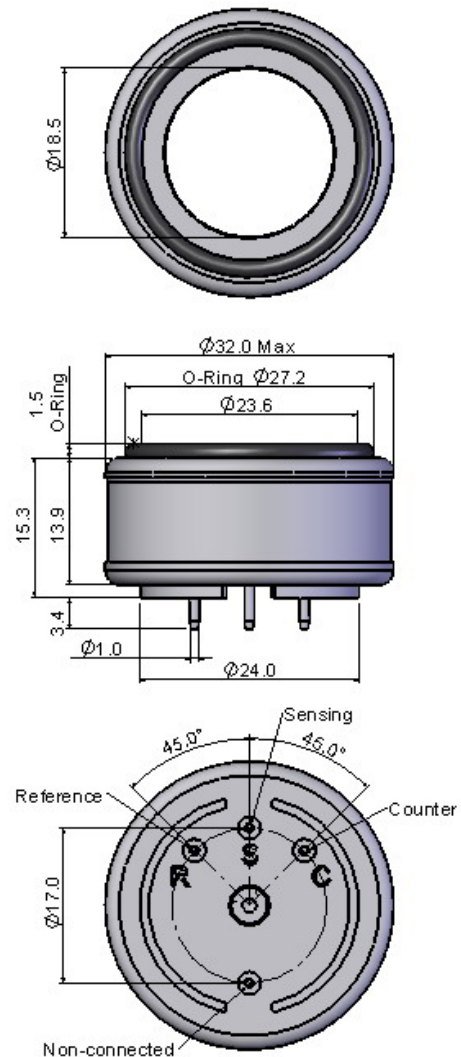
Temperature Range	-20 °C to 50 °C
Operating Humidity	15 to 90%RH non-condensing
Pressure Range	90 to 110 kPa
Bias Potential	0 mV
Storage Life	6 months in sealed container
Storage Temperature	0 °C to 20 °C
Expected Operating Life	2 years in air
Warranty	18 months from date of despatch

Physical Characteristics

Weight	8 g (approx)
Orientation Sensitivity	None

Note: All performance specifications are based upon the following environment conditions: 20°C, 50% relative humidity and 1 atm (1013 mBar or ambient pressure).

Outline Dimensions

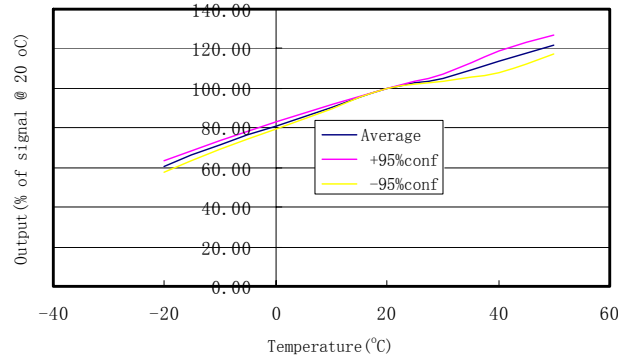


All dimensions are in millimeters.
All tolerances are ± 0.2 mm.

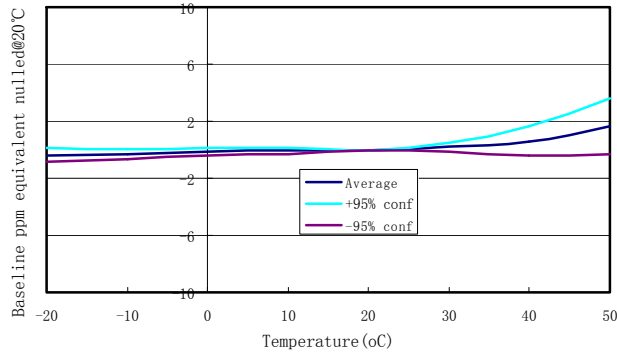
Note: PCB sockets are recommended for the sensor pin connection. Soldering to the sensor should be avoided.

Temperature Dependence

Output vs Temperature



Baseline vs Temperature



Cross-sensitivity Data (20 °C)

Gas	Concentration (ppm)	Output Signal (ppm CO equivalent)
Hydrogen Sulfide	15	<0.3
Sulfur Dioxide	5	0
Nitric Oxide	35	≤7
Nitrogen Dioxide	5	1.5
Chlorine	10	0 ~ 1
Hydrogen	100	<60
Hydrogen	100	16

- Notes:**
1. Calibration with cross sensitivity gas is not recommended.
 2. The cross sensitivity may fluctuate between +/- 30% and may differ from batch to batch or from sensor's life time.
 3. The cross sensitivities are including but not limited to the above gases. It may also respond to other gases.