

Oxygen Sensor 0-30% Non Liquid Electrolyte

Performance Characteristics

Part Number	CLE-0231-40S
Nominal Range	0 to 30% O ₂
Max Overload	90% O ₂
Output Signal	350 ± 50 µA in air
Zero Signal	< 50 µA in Nitrogen
Resolution	0.1% O ₂
Response Time (T₉₀)	≤ 30 seconds
Linearity	Linear
Long Term Output Drift	< 2% signal/month

Operation Conditions

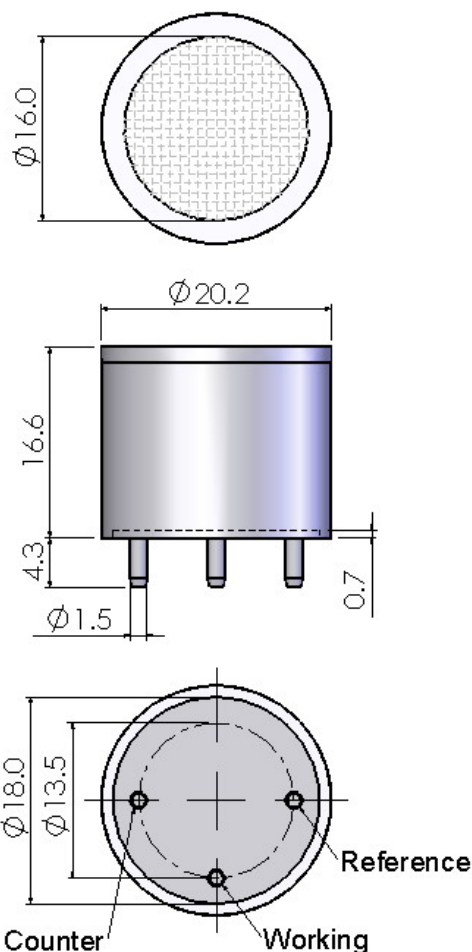
Temperature Range	-20 °C to 50 °C
Operating Humidity	15 to 90%RH non-condensing
Pressure Range	90 to 110 kPa
Bias Potential	-600 mV
Storage Life	6 months in sealed container
Storage Temperature	0 °C to 20 °C
Expected Operating Life	2 years in air
Warranty	18 months from date of despatch

Physical Characteristics

Weight	5 g (approx)
Orientation Sensitivity	None

Note: All performance specifications are based upon the following environment conditions: 20 °C, 50% relative humidity and 1 atm (1013 mBar or ambient pressure).

Outline Dimensions



All dimensions are in millimeters.
All tolerances are ± 0.2 mm.

Note: PCB sockets are recommended for the sensor pin connection. Soldering to the sensor should be avoided.

Temperature Dependence

