

Oxygen Sensor 0-30% Vol.

Performance Characteristics

Part Number	CLE-0231-400
Nominal Range	0 to 30% O ₂
Maximum Overload	90% O ₂
Output Signal	350 ± 50 µA in air
Zero Signal	< 20 µA in Nitrogen
Resolution	0.1% O ₂
Response Time (T₉₀)	≤ 30 seconds
Linearity	Linear
Long Term Output Drift	< 2% signal/3 months

Operation Conditions

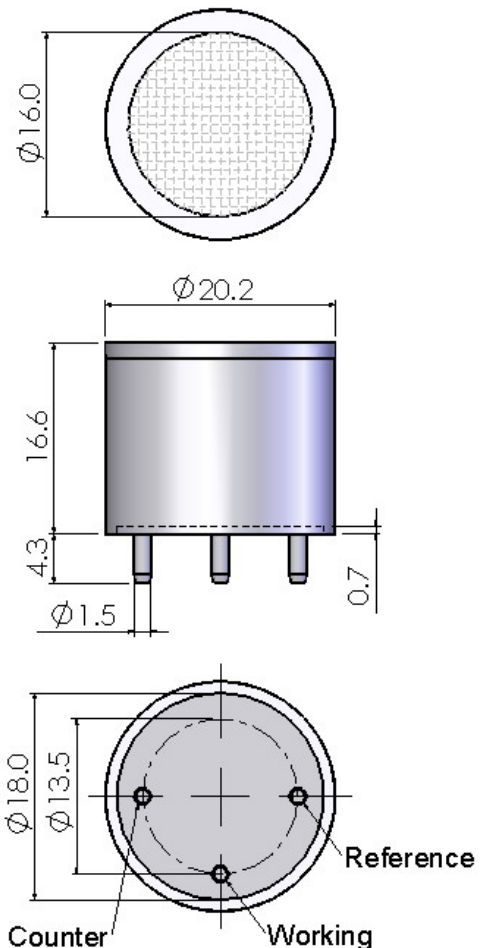
Temperature Range	-20 °C to 50 °C
Operating Humidity	5 to 90%RH non-condensing
Pressure Range	80 to 120 kPa
Bias Potential	-600 mV
Storage Life	6 months in sealed container
Storage Temperature	0 °C to 20 °C
Expected Operating Life	2 years in air
Warranty	18 months from date of despatch

Physical Characteristics

Weight	5 g (approx)
Orientation Sensitivity	None

Note: All performance specifications are based upon the following environment conditions: 20 °C, 50% relative humidity and 1 atm (1013 mBar or ambient pressure).

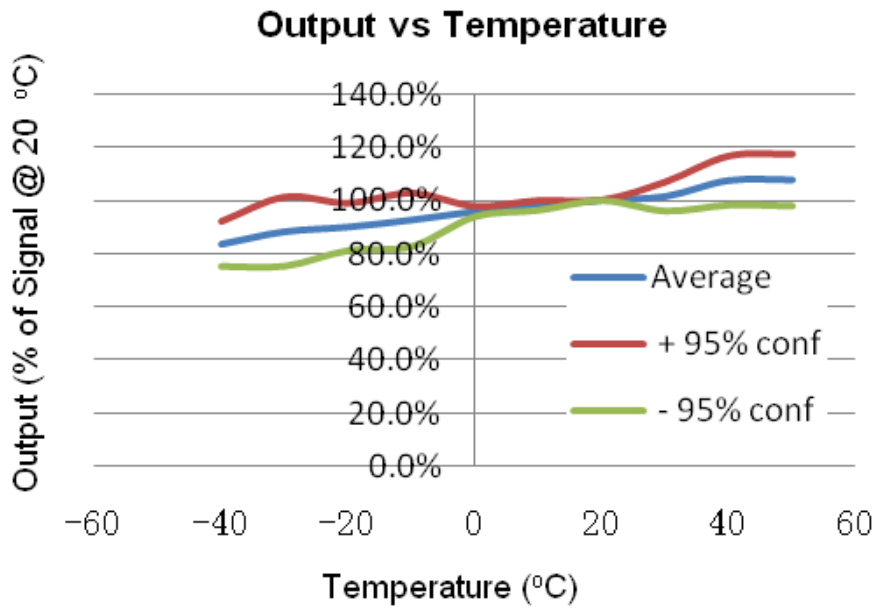
Outline Dimensions



All dimensions are in millimeters.
All tolerances are ±0.2mm.

Note: PCB sockets are recommended for the sensor pin connection. Soldering to the sensor should be avoided.

Temperature Dependence



Cross-sensitivity Data

Gas	Concentration	Cross Sensitivity(%O ₂ equivalent)
CO ₂	2%	0
H ₂	1%	-2%

Notes:

1. Calibration with cross sensitivity gas is not recommended.
2. The cross sensitivity may fluctuate between +/- 30% and may differ from batch to batch or from sensor's life time
3. The cross sensitivities are including but not limited to the above gases. It may also respond to other gases.