

Chlorine Sensor 0-200 ppm

Performance Characteristics

Part Number	CLE-0922-400
Nominal Range	0 to 200ppm
Sensitivity	0.18 ± 0.05 µA/ppm
Baseline (20 °C)	< ± 0.2 µA
Baseline Drift (-20 to 40 °C)	0 to -0.3 ppm equivalent
Resolution	0.1 ppm
Response Time (T₉₀)	≤ 30 seconds
Linearity	Linear
Long Term Output Drift	< 2% signal/month

Operation Conditions

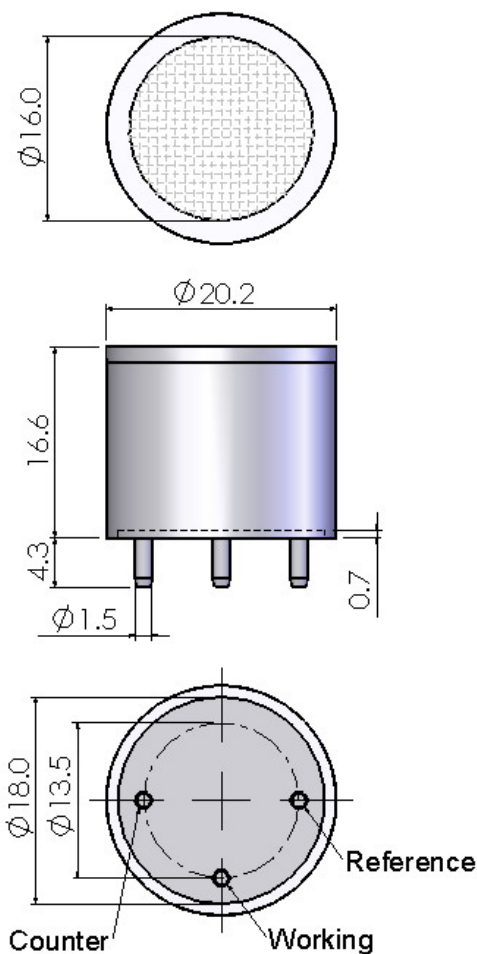
Temperature Range	-20 °C to 50 °C
Operating Humidity	15 to 90%RH non-condensing
Pressure Range	90 to 110 kPa
Bias Potential	0 mV
Storage Life	6 months in sealed container
Storage Temperature	0 °C to 20 °C
Expected Operating Life	2 years in air
Warranty	12 months from date of despatch

Physical Characteristics

Weight	5 g (approx)
Orientation Sensitivity	None

Note: All performance specifications are based upon the following environment conditions: 20 °C, 50% relative humidity and 1 atm (1013 mBar or ambient pressure)

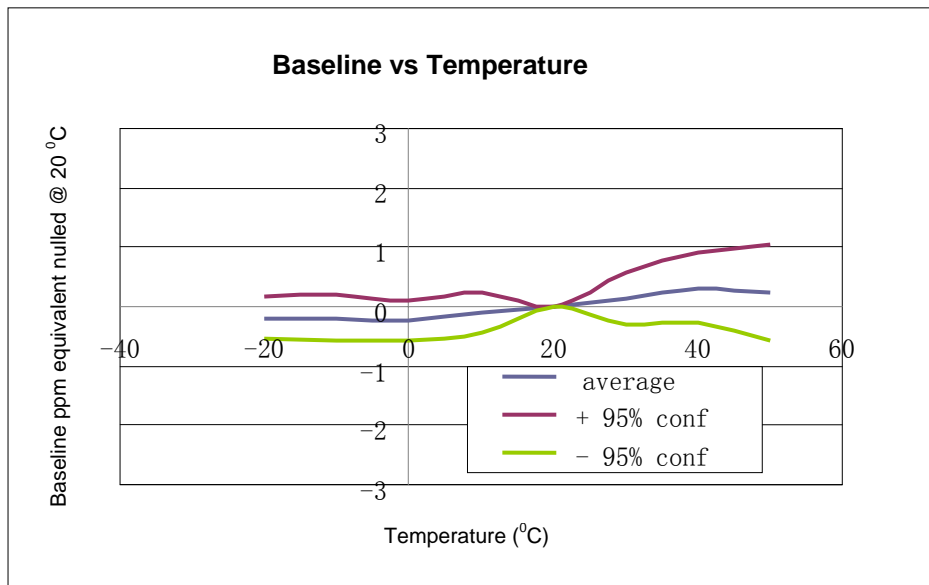
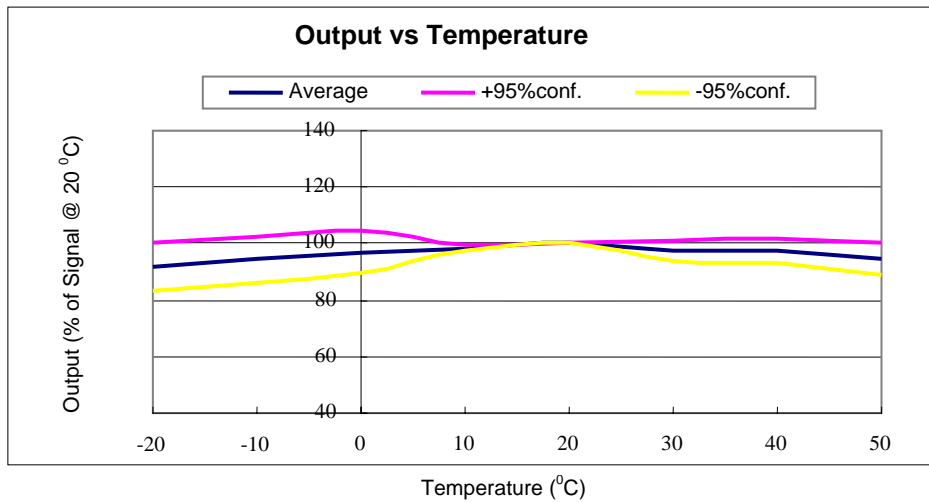
Outline Dimensions



All dimensions are in millimeters.
All tolerances are ±0.2mm.

Note: PCB sockets are recommended for the sensor pin connection. Soldering to the sensor should be avoided.

Temperature Dependence



Cross-sensitivity Data

Gas	Concentration (ppm)	Output Signal (ppm Cl ₂ equivalent)
Hydrogen Sulfide	20	-4
Carbon Monoxide	100	0
Sulphur Dioxide	20	0
Nitric Oxide	35	0
Nitrogen Dioxide	10	12
Hydrogen	3000	0
Ammonia	100	0
Carbon Dioxide	10000	0
Chlorine Dioxide	1	3.5

Notes:

1. Calibration with cross sensitivity gas is not recommended
2. The cross sensitivity may fluctuate between +/- 30% and may differ from batch to batch or from sensor's life time
3. The cross sensitivities are including but not limited to the above gases . It may also respond to other gases.