

Oxygen Sensor 0-25%

Performance Characteristics

Part Number	CLE-0231-420
Nominal Range	0 to 25% O ₂
Maximum Overload	30% O ₂
Output Signal	75 ± 20 µA in air
Zero signal	< 2.0 µA in Nitrogen
Resolution	0.1% O ₂
Response Time (T₉₀)	30 seconds (typical)
Temperature Coefficient	0.2% signal/°C
Long Term Output Drift	< 2% signal/ month (Typically < 5% over operating life)

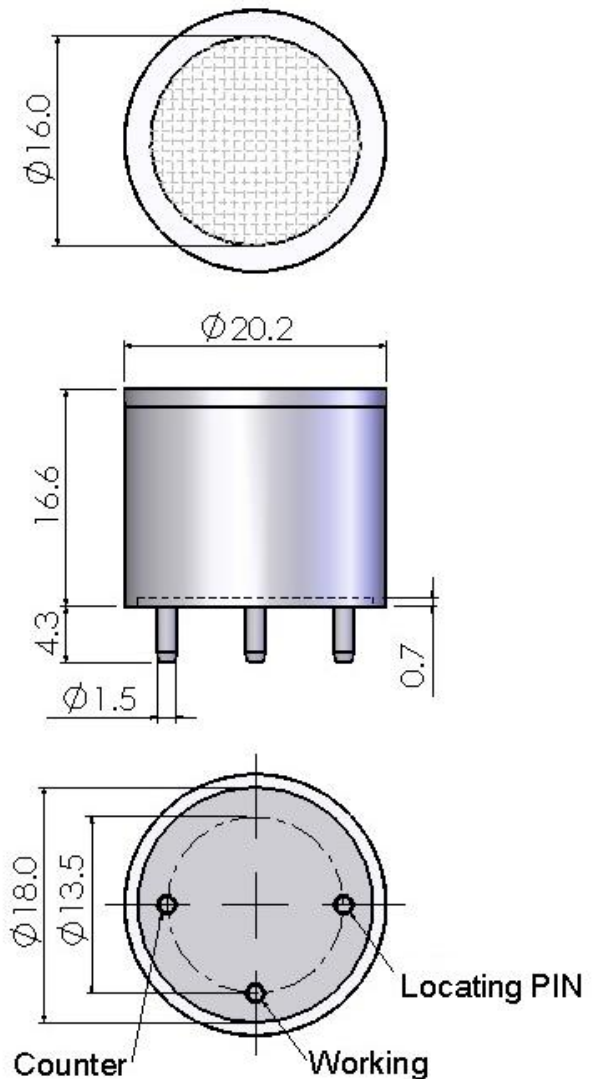
Operation Conditions

Temperature Range	-20 °C to 50 °C
Operating Humidity	15 to 90 %RH non-condensing (0 to 99% short term)
Pressure Range	80 kPa to 120 kPa
Storage Life	6 months in sealed container
Storage Temperature	0 °C to 20 °C
Expected Operating Life	2 years in air
Warranty	12 months from date of shipment

Physical Characteristics

Weight	15 g (approx)
Orientation Sensitivity	None

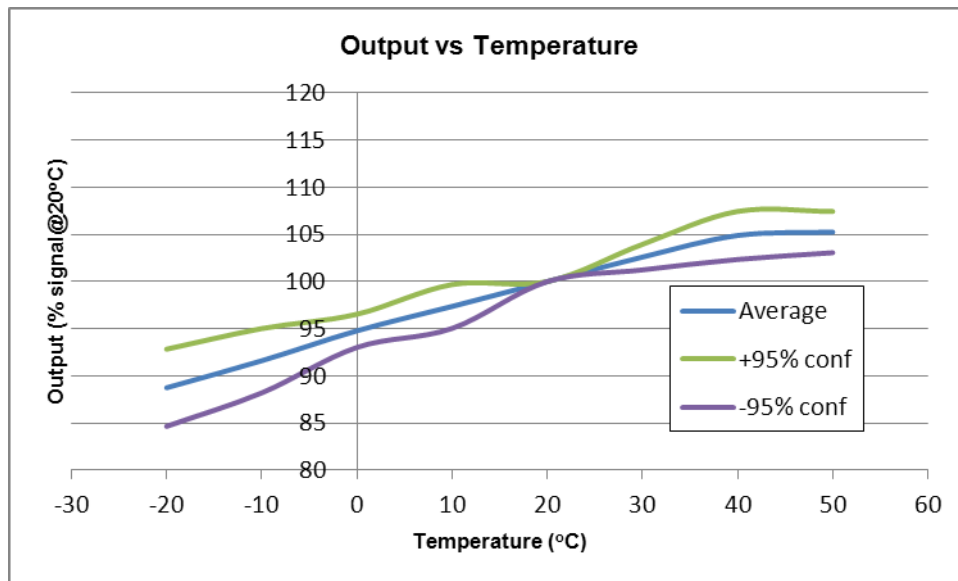
Outline Dimensions



All dimensions are in millimeters.
All tolerances are ±0.2mm.

Note: PCB sockets are recommended for the sensor pin connection. Soldering to the sensor should be avoided.

Temperature Dependence



Notes:

1. All performance specifications are based upon the following environment conditions: 20 °C, 50% relative humidity and 1 atmospheric pressure (100 kPa or ambient pressure).
2. Recommend calibration with target gas. If calibration with a cross sensitivity gas, we cannot ensure the accuracy of calibration and measurement.
3. The cross sensitivity may fluctuate between +/- 30% and may differ from batch to batch or from sensor's life time.
4. The cross sensitivities are including but not limited to the above gases. It may also respond to other gases.