

## Technical Information

### Example for an analogue heating controller

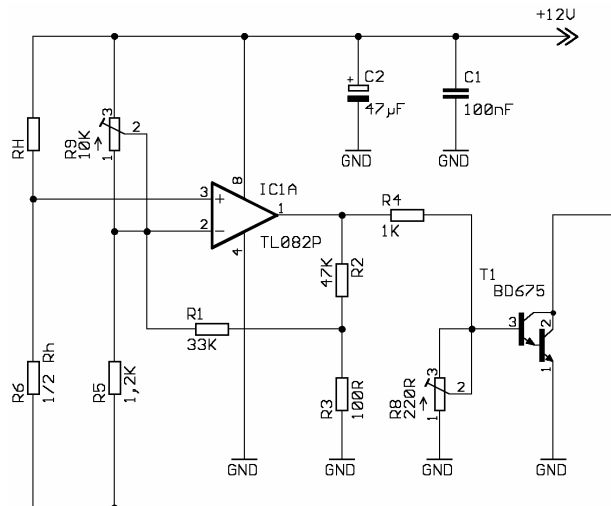


Figure 1: Analogue heating controller

- with R9 (Figure 1) the heating temperature is adjusted
- with R8 (Figure 1) the readjustment is affected

Note:

For battery-powered applications please replace IC1 TL082 by TS912

### Example for a digital heating controller

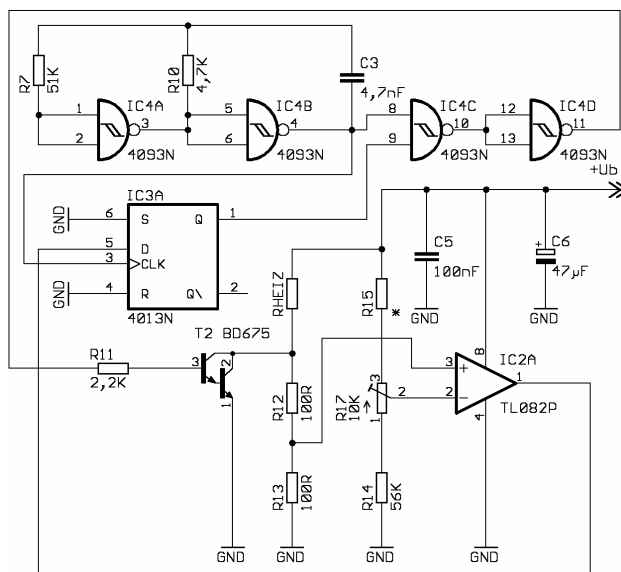
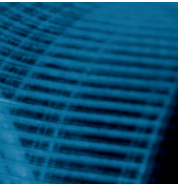


Figure 2: Digital heating controller

- $R_{HEIZ0}$  = Heating resistance at temperature  $t = 0^\circ\text{C}$
- $R15 = 82\text{K}$  with  $R_{HEIZ0} = 16\text{R}$
- $R15 = 68\text{K}$  with  $R_{HEIZ0} = 10\text{R}$
- with R17 the heating temperature is adjusted

Notes:

- For battery-powered applications please replace IC2 TL082 by TS912
- For  $R_{HEIZ0} = 10\text{R}$  it is recommended to use  $U_b$  from 6V to 8V.



UST Umweltsensortechnik GmbH is certified according to



## Technical Information

### Example for a test/evaluation circuit for gas sensor elements (GGS 1000-/2000-/6000-Series)

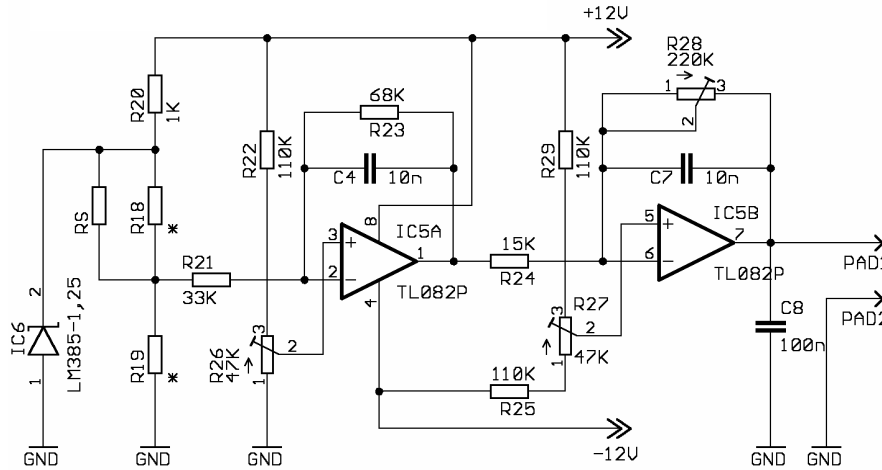


Figure 3: Test/Evaluation circuit for gas sensor elements

Notes:  $R_{18} = R_S$ ;  $R_{19} = 1/10 \cdot R_S$  ( $R_S$ ... Sensor-Resistance at ambient air)

### Example for a test/evaluation circuit for gas sensor elements (GGS 3000-/4000-/5000-/7000-/8000-/9000-/10000-Series)

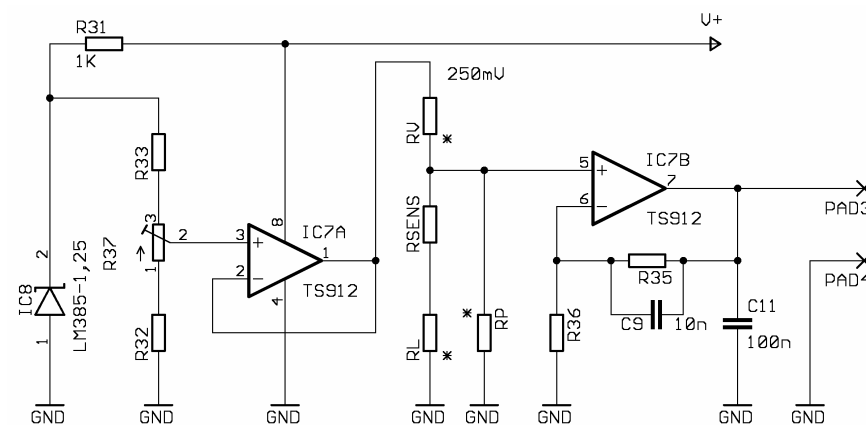
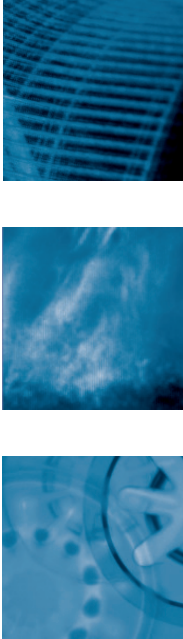


Figure 4: Test/Evaluation circuit for gas sensor elements (GGS 3000-/4000-/5000-/7000-/8000-/9000-/10000-Series)

Notes:  $R_L = 1/10 \cdot R_{SENS}$ ;  $R_P = R_{SENS}$ ;  $R_V = 1/4 \cdot R_{SENS}$



UST Umweltsensortechnik GmbH is certified according to

