

STATUS SCIENTIFIC CONTROLS

PROGRAMMABLE

FIXED SYSTEM FOR GAS AND SAFETY MONITORING AND CONTROL



FGD14 – STAND ALONE GAS DETECTOR FOR NON-CERTIFIED APPLICATIONS

Designed for Minimum Installation & Maintenance Costs



FGD14 Monitor with LCD readout and remote indicator unit

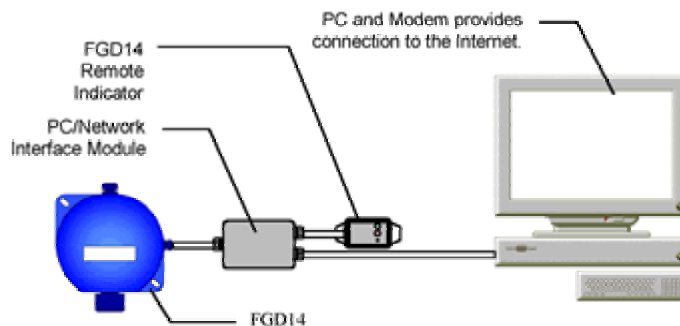
Typical Installations

- Boilerhouses
- Swimming Pools
- Car Parks
- Breweries and Cellars
- Petrol Stations
- Landfill Sites
- Hospitals
- Department Stores
- Greenhouses
- Refrigeration Plants

The FGD14 range of gas detectors is designed to provide an affordable means of accurately monitoring ambient gas levels in commercial and industrial **safe area** (i.e. not a potentially explosive atmosphere) applications. They operate as stand-alone detectors and models are available either for use from a mains supply or from an 8 to 30 volts dc supply. An audible/visual remote unit is provided with the detector.

The detectors can be fitted with either Infrared sensors for monitoring of Hydrocarbons or Carbon Dioxide or Electrochemical sensors for monitoring Oxygen/Toxic gases.

OPTIONAL REMOTE MONITORING SYSTEM



WEB-ENABLED SYSTEM

This feature enables multiple installations to be connected to a central monitoring station.

For pricing and part number information, please contact our sales department at the address shown overleaf.

Typical Applications

Location	Gas hazard	Sensor Type
Swimming pools	Chlorine	Electrochemical
Boiler rooms, car parks	Carbon monoxide	Electrochemical
Breweries and Cellars	Carbon dioxide and ethanol	Infrared
Petrol stations	Pentane	Infrared
Landfill sites	Methane, carbon dioxide, hydrogen sulphide	Infrared / Electrochemical
Hospitals, Department stores	Methane (leakage from gas heating)	Infrared
Greenhouses	Carbon monoxide, carbon dioxide, oxygen	Electrochemical / Infrared
Refrigeration Plants	Ammonia	Electrochemical

Typical Specification for an FGD14 fitted with an *Infrared* Carbon Dioxide sensor.

Size	: 122 x 142 x 75mm nominal
Weight	: 0.9Kg
Gas Type	: Carbon Dioxide
Operating Voltage	: ac version - 85-265V, 47-440 Hz ; dc version – 8 to 30 volts
Alarm set points	: 2 user adjustable set points between 0.3% and 5% CO ₂
Alarm output	: Voltage free, single pole changeover relay contacts. User selectable for either normally energised or normally de-energised operation
Alarm contact rating	: 1A, 30Vd.c. non-inductive load
Visual alarm indication	: Flashing red LED on front panel and on remote indicator unit
Audible alarm indication	: Intermittent alarm tone on front panel and on remote indicator unit
Sensor Type	: NDIR Infra red, temperature compensated, dual element
Measurement range	: 0-5%
Response Time	: T ₉₀ < 40 sec
Measurement Resolution	: 0.1% CO ₂
Sensor MTBF	: 10 years
Operating Temperature	: -10 to +40 °C
Storage Temperature	: -20 to +50°C
Humidity Range	: 0 to 95% RH non-condensing
Operating Pressure	: Ambient + or - 10%

Designed and Manufactured in the UK

Status Scientific Controls Ltd
 Hermitage Lane Industrial Estate
 Kings Mill Way, Mansfield
 Nottinghamshire NG18 5ER
 Tel: (44) 01623 651381 Fax: (44) 01623 427816
 Email: sales@status-scientific.com
 www.status-scientific.com