

Micro Sensor - H₂S

Operating Performance

Operating Principle	3-electrode electrochemical
Gas Detected	Hydrogen Sulphide
Measurement Range	0-500ppm
Maximum Overload	1,000ppm
Expected Operating Life	Three years in air
Output Signal	1.4 ± 0.6µA per ppm
Temperature Range	-20°C to +50°C
Pressure Range	1 atm ± 10%
Humidity Range (non-condensing)	Continuous: 15-90% RH Intermittent: 0-99% RH
Response Time (T ⁵ ₉₀)	< 75 seconds
Baseline Range (clean air)	±5ppm equivalent
Zero Shift (-20°C to +40°C)	TBA
Long Term Output Drift	<-4% signal per year
Repeatability	±5% of signal
Linearity	±5% up to 500ppm
Recommended Load Resistor	100Ω
Blas Voltage	Not required

Intrinsic Safety Data

Maximum at 1,000ppm	1.8mA
Maximum o/c Voltage	0.8V
Maximum s/c Current	1.0A

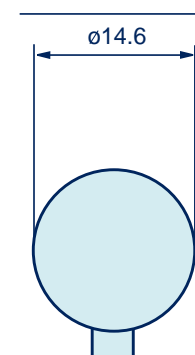
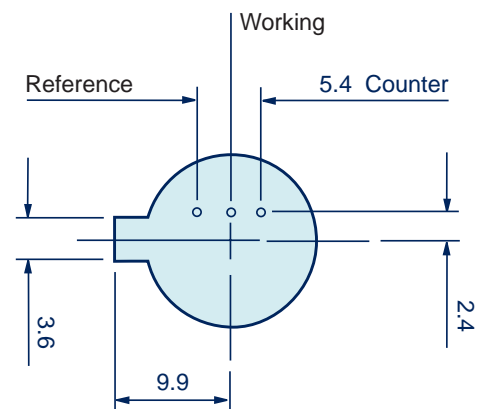
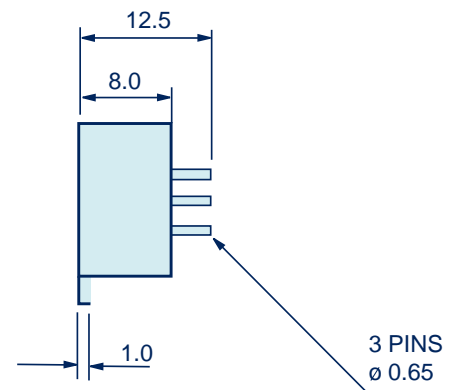
Physical Specification

Weight	Approx 1.5g
Housing Material	Polycarbonate (red)
Storage Life	6 months in sealed container
Storage Conditions	10-20°C, 45-75% RH in clean air
Orientation	Any
Warranty Period	12 months from date of despatch

Ordering Details

Part Number	2112B1620
Order From	Sixth Sense 4 Stinsford Road, Poole, Dorset, England BH17 0RZ Tel: (44) 01202 645770 Fax: (44) 01202 665331 e.mail: sensors@sixth-sense.com www.sixth-sense.com

Code date: 08/03

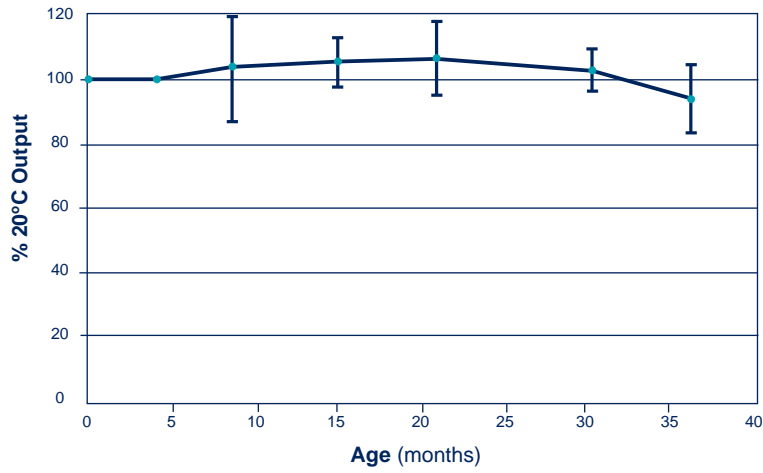




Additional Information

Innovation, Quality and Expertise for Gas Detection.

H₂S Micro Lifetest (100ppm Hydrogen Sulphide)



Cross Sensitivity Data		
Gas	Concentration	Typical H ₂ S Equivalent
Phosphine	100ppm	80ppm
Carbon Monoxide	100ppm	8ppm
Chlorine	100ppm	-11ppm
Hydrogen	100ppm	<2ppm
Hydrogen Sulphide	100ppm	100ppm
Nitric Oxide	100ppm	<1ppm
Nitrogen Dioxide	100ppm	-24ppm
Sulphur Dioxide	100ppm	19ppm

In the interest of product improvement Sixth Sense reserve the right to alter design features and specifications without notice.