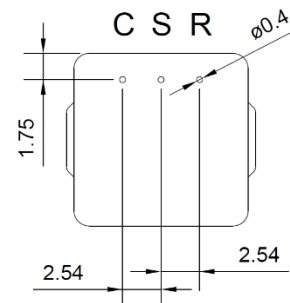
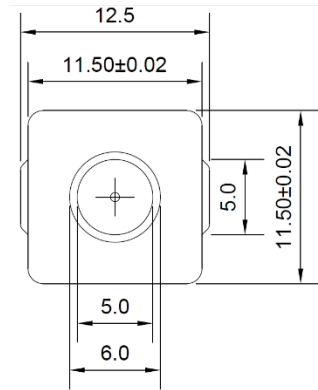
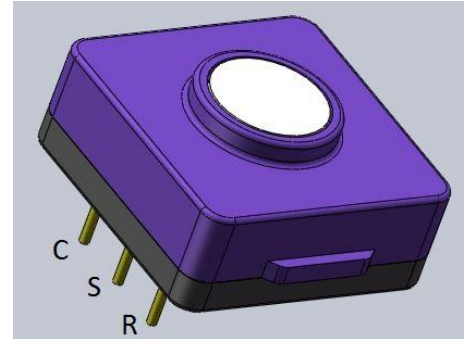


## H<sub>2</sub>S-100-ES1 Hydrogen Sulfide Polymer Sensor

**Technical Specification**

Sensitivity	80±20 nA/ppm
Zero current	±20 nA
Response time	
- T <sub>50</sub>	< 10 s
- T <sub>90</sub>	< 30 s
Range	0 – 100 ppm
Lower Detectable Limit (LDL)	1 ppm
Maximum Overload	200 ppm
Linearity	
Temperature Range	-20°C to +50°C
Humidity Range	10% to 95% rH non-condensing
Pressure Range	
Warm-up Time (typical)	60 s
Long Term Sensitivity Drift	< 1 %/month
Zero Drift	
Expected Life Time	> 3 Years



All dimensions in mm.  
 All tolerances are 0.10 mm unless otherwise stated.

**Cross-sensitivity**

Gas	Formula	Test concentration	Reading
Ammonia	NH <sub>3</sub>	20 ppm	No cross-sensitivity expected
Carbon Dioxide	CO <sub>2</sub>	5000 ppm	No cross-sensitivity expected
Carbon Monoxide	CO	50 ppm	n.a.
Chlorine	Cl <sub>2</sub>	1.0 ppm	n.a.
Hydrocarbons unsaturated	-	1 %	No cross-sensitivity expected
Hydrogen	H <sub>2</sub>	100 ppm	n.a.
Isopropanol	C <sub>3</sub> H <sub>7</sub> OH	1000 ppm	No cross-sensitivity expected
Nitric Oxide	NO	25 ppm	n.a.
Nitrogen Dioxide	NO <sub>2</sub>	10 ppm	n.a.
Ozone	O <sub>3</sub>	0.5 ppm	n.a.
Sulphur Dioxide	SO <sub>2</sub>	20 ppm	n.a.