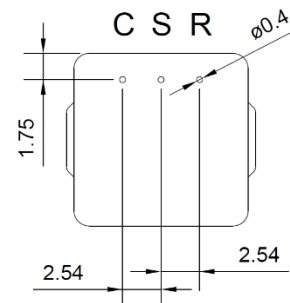
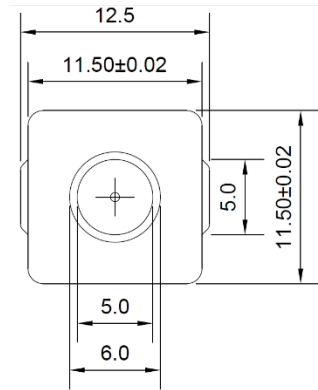
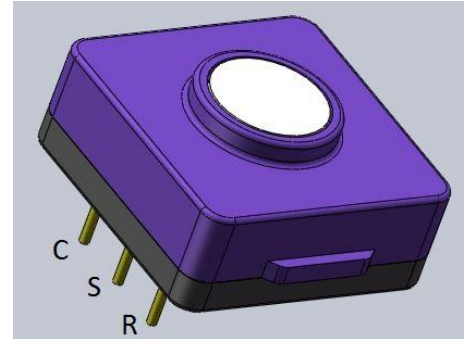


CO-1000-ES1 Carbon Monoxide Polymer Sensor

Technical Specification

Sensitivity	30.0±5.0 nA/ppm
Zero current	±100 nA
Response time	
- T ₅₀	< 10 s
- T ₉₀	< 30 s
Range	1000 ppm
Lower Detectable Limit (LDL)	2 ppm
Maximum Overload	2000 ppm
Linearity	
Temperature Range	-20°C to +50°C
Humidity Range	10% to 95% rH non-condensing
Pressure Range	
Warm-up Time (typical)	60 s
Long Term Sensitivity Drift	< 1 %/month
Zero Drift	
Expected Life Time	> 5 Years



All dimensions in mm.
 All tolerances are 0.10 mm unless otherwise stated.

Cross-sensitivity

Gas	Formula	Test concentration	Reading
Ammonia	NH ₃	20 ppm	n.a.
Carbon Dioxide	CO ₂	5000 ppm	No cross-sensitivity expected
Chlorine	Cl ₂	1.0 ppm	n.a.
Hydrocarbons unsaturated	-	1 %	n.a.
Hydrogen	H ₂	100 ppm	n.a.
Hydrogen Sulphide	H ₂ S	10 ppm	n.a.
Isopropanol	C ₃ H ₇ OH	1000 ppm	n.a.
Nitric Oxide	NO	25 ppm	n.a.
Nitrogen Dioxide	NO ₂	10 ppm	n.a.
Ozone	O ₃	0.5 ppm	n.a.
Sulphur Dioxide	SO ₂	20 ppm	n.a.