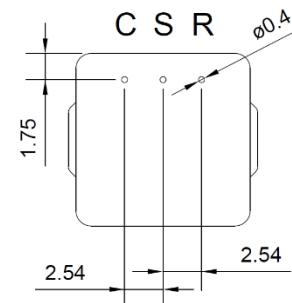
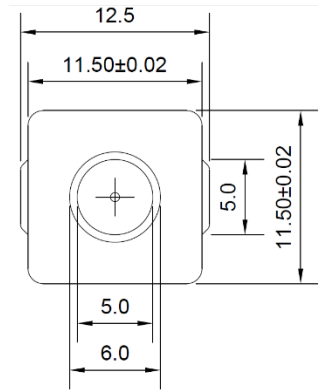
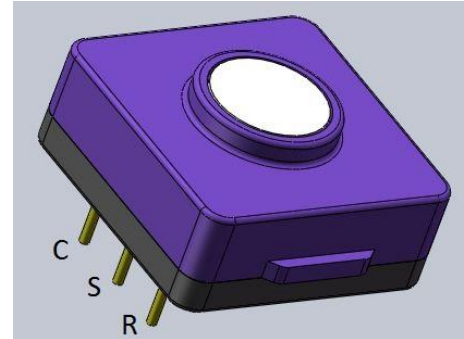


All Gas-ES1 All Gas Polymer Sensor

Technical Specification

Sensitivity	n.a.	nA/ppm
Zero current	±100	nA
Response time		
- T ₅₀	< 10	s
- T ₉₀	< 30	s
Range	n.a.	ppm
Lower Detectable Limit (LDL)	n.a.	ppm
Maximum Overload	n.a.	ppm
Linearity		
Temperature Range	-20°C to +50°C	
Humidity Range	10% to 95% rH non-condensing	
Pressure Range		
Warm-up Time (typical)	60	s
Long Term Sensitivity Drift	< 1	%/month
Zero Drift		
Expected Life Time	> 3	Years



All dimensions in mm.
All tolerances are 0.10 mm unless otherwise stated.

Cross-sensitivity

Gas	Formula	Test concentration	Reading
Ammonia	NH ₃	20 ppm	n.a.
Carbon Dioxide	CO ₂	5000 ppm	No cross-sensitivity expected
Carbon Monoxide	CO	50 ppm	n.a.
Chlorine	Cl ₂	1.0 ppm	n.a.
Hydrocarbons unsaturated	-	1 %	n.a.
Hydrogen	H ₂	100 ppm	n.a.
Isopropanol	C ₃ H ₇ OH	1000 ppm	n.a.
Nitric Oxide	NO	25 ppm	n.a.
Nitrogen Dioxide	NO ₂	10 ppm	n.a.
Ozone	O ₃	0.5 ppm	n.a.
Sulphur Dioxide	SO ₂	20 ppm	n.a.