



NETC3

Full conformity ATEX gas detection head

Description

The NETC3 gas sensor head is a stainless steel flame-proof enclosure that accommodates pellistor, infrared or electrochemical gas sensors and possibly also a Cyber or REMORA signal transmitter that gives a 4-20 mA and/or RS485 digital output.

The enclosure is provided with an integral stainless steel sinter filter for the safe entry of the atmosphere being detected.

The NETC3 model is a decomposable and the sensor can be replaced at the end of its life time.

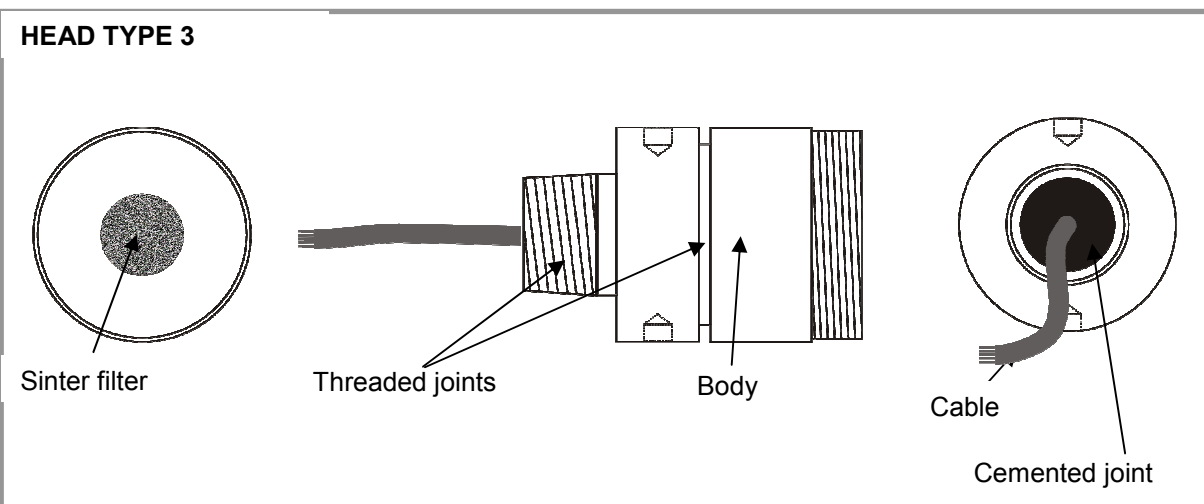
The enclosure is fitted with an external thread at the front end to allow easy fitting of accessories. A choice of two standard rear mounting threads is available.

Combustible dust and IP protection available on request using separate adapter. The enclosure is available also in aluminium if requested.

**NETC3 IS FULL CONFORMITY ATEX APPROVED
ACCORDING TO THE CERTIFICATE CESI 10 ATEX 032X**



Construction



ATEX marking

The required ATEX marking and type of protection are as follows:

⊕ II2G Ex d IIC T6 or T5 Gb

Or, when equipped with dust cover:

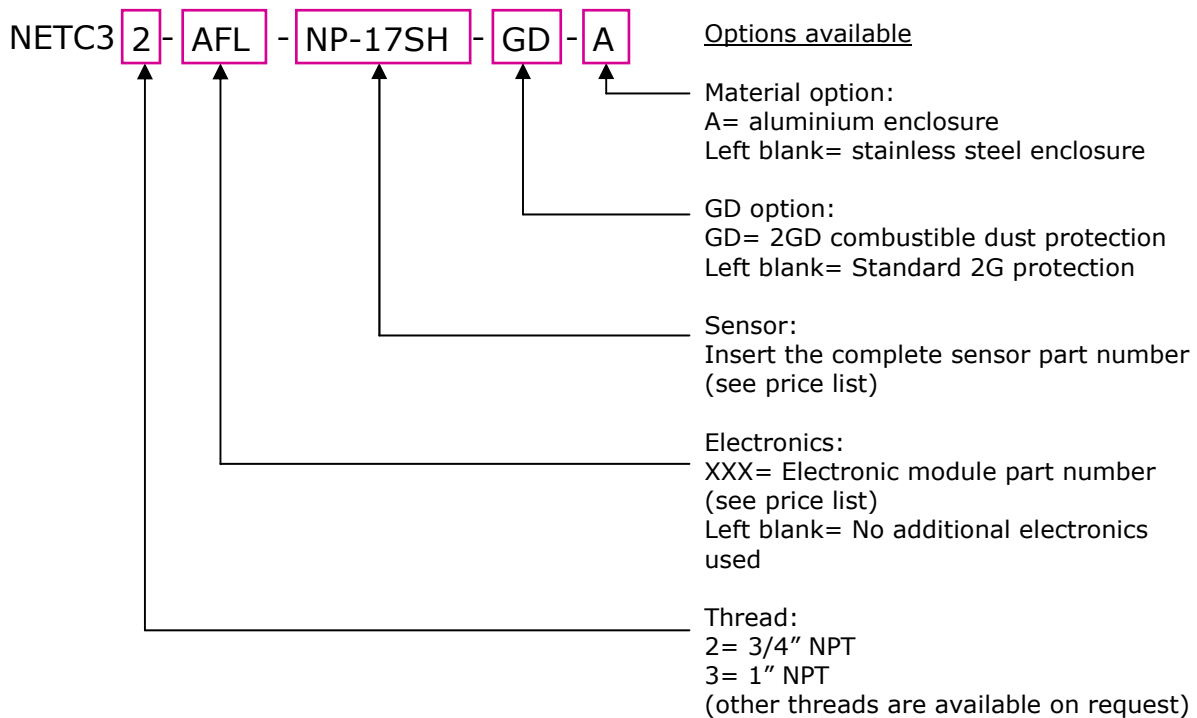
⊕ II2GD Ex d IIC T6 or T5 Gb Ex tb IIIC T85°C or T100°C Db IP65



The temperature class (T6 or T5) depends on the sensor power dissipation inside the sensor head and is thus dependent on the type of sensor used.

Part number

When making an order of the NETC2 heads the customer must specify the basic properties that are needed for their specific application. This is made through the part number here below. The squared fields of the part number below can be modified according to the options on the right.



N.E.T. has a policy of continuous development and improvement of its products. As such the specification for the device outlined in the data sheet may be changed without notice.