

ALL PRODUCT SPECIFICATIONS ARE APPLICABLE AT STANDARD CONDITIONS:
1013 MILLIBAR, 25° C DRY AIR.

REV	DCO'S AFFECTING THIS DRAWING	DATE	APPROVED
A	INITIAL REL. #1079	8/4/98	G.P.
B	DCO # 1209 UPDATE DRAWING AND SPEC.		

1. Output:

14.5 ± 1.5 mV



2. Operation:

1. Temperature: -10° - 50° C
2. Ambient pressure: 600 - 1750 mBar
3. Relative Humidity: Up to 100% Rh
(Condensing atmosphere over several hours)

3. Storage Temperature Range:

-20° to 60° C
5° to 30° C Recommended

4. Range of Measurement (Full Scale):

0 to 100% oxygen

5. Zero Offset:

Less than .15 mV when exposed to
to 100% nitrogen for 5 minutes

6. 90% Response Time:

Less than or equal to 13 seconds

7. Linearity:

<2% Relative

8. Stability:

Less than 1% of full scale over an 8 hour period
between 20% and 100% Oxygen

9. Repeatability:

±1% Volume O₂ at 100% O₂,
applied for 5 minutes

10. Interference: Less than 0.5% O₂ response to:

- 10.0 % CO₂ balance N₂
- 80.0 % N₂O balance N₂
- 7.5% Halothane balance N₂
- 7.5% Isoflurane balance N₂
- 7.5% Enflurane balance N₂
- 9.0% Sevoflurane balance N₂
- 20.0% Deflurane balance N₂

11. Warm-up Time:

Less than 30 minutes after replacement of sensor

12. Nominal Sensor Life:

>1,000,000% O₂ hours

13. Electrical Interface:

3-pin male molex connector

UNLESS OTHERWISE SPECIFIED
DIMENSIONS ARE IN INCHES
AND PER ANSI Y14.5-1982

TOL = ±.01
TOL = ±.005
TOL = ±.002

ANGLE
±1°30'

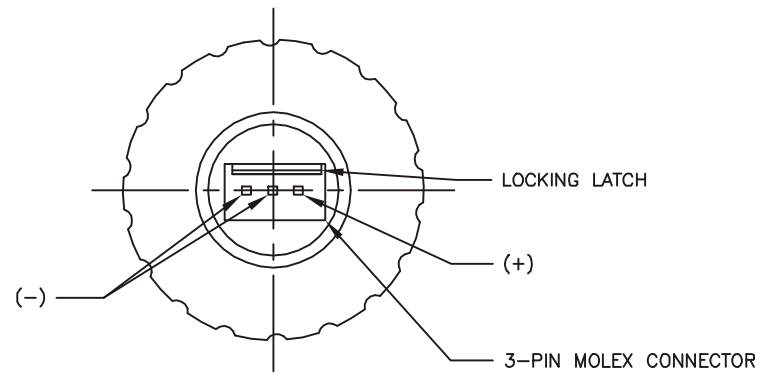
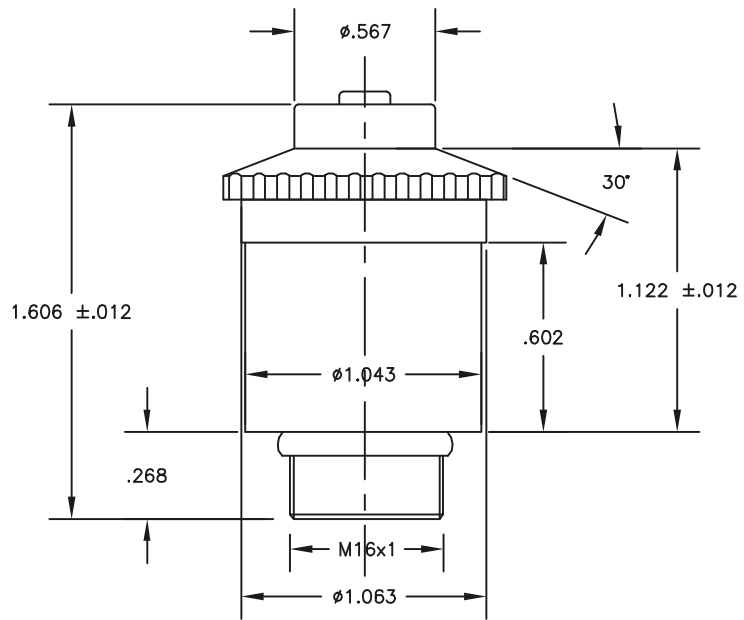
QA G. ROTH	3-23-99	PREP E. CUTLER	4/27/97
MFG G. POELAKKER	3-23-99	CHKR G. POELAKKER	8/4/98
		ENG D. GOETZ	3-23-99

SIZE B	FSCM NO. 1S815	NUMBER R109P47	REV B
SCALE NONE		SHEET 1 OF 2	

maxtec™
SALT LAKE CITY, UTAH 84119
SPECIFICATION
MAX-12 OXYGEN SENSOR

PROPRIETARY INFORMATION
MAXTEC, INC.

R109P47 B



SIZE B	FSCM NO. 1S815	NUMBER R109P47	REV B
SCALE 2.0 = 1.0		SHEET 2 OF 2	

PROPRIETARY INFORMATION
MAXTEC, INC.

R109P47 B