

Performance Characteristics

MEASUREMENT

Operating Principle	2-electrode electrochemical
Measurement Range	0-2 ppm O ₂
Maximum Overload	1000 ppm O ₂
Filter	None
Output Signal	50 - 80 mV in air with a 10Ω load resistor
Response Time (T₉₅)	<20 seconds at 20°C
Purge Time: (Ambient air to <10 ppm)	<6 hours
Linearity	Linear

ELECTRICAL

Recommended Load Resistor | 10 Ω

MECHANICAL

Weight	32 g
Housing Material:	
Body	Nickel plated steel
Current Collectors	Nickel
Orientation Sensitivity	None

ENVIRONMENTAL

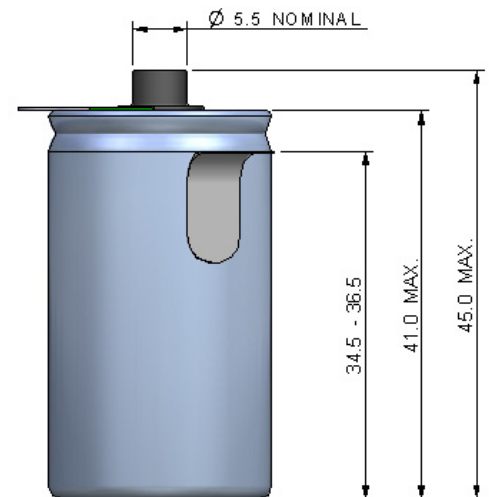
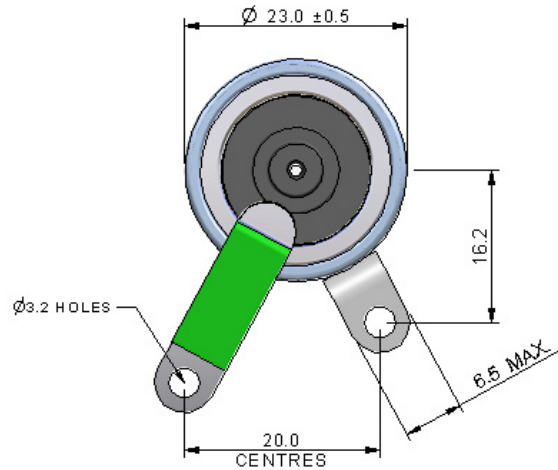
Operating Temperature Range	-20°C to +50°C
Temperature Coefficient	0.2% signal/°C
Recommended Storage Temp	0°C to 20°C
Operating Pressure Range	Atmospheric ± 10%
Operating Humidity Range	0 - 99% RH non-condensing

LIFETIME

Long Term Output Drift	<5% signal loss/year
Expected Operating Life	See below
Storage Life	6 months in CTL container
Standard Warranty	12 months from date of despatch

N.B. All performance data is based on conditions at 20°C, 50% RH and 1013 mBar

Product Dimensions



All tolerances ± 0.15 mm unless otherwise stated

Operating Life

The operating life of a C/NLL Oxygen CiTiceL is proportional to the amount of oxygen the sensor consumes. As City Technology has no knowledge of the operating conditions of any particular application, the company cannot give any guarantee with regard to the life of the sensor. However the following guidelines should be of use:

Under normal operating conditions (i.e. ppm levels) the sensor has a large excess capacity, and there will only be a gradual loss of sensitivity. It is recommended, however, that the sensor is changed every year to maintain the optimum sensitivity.

It is not advisable to use these sensors in ambient air, or to keep them on load in air for long periods. This will considerably decrease the life of the sensor.

SAFETY NOTE

This sensor is designed to be used in safety critical applications. To ensure that the sensor and/or instrument in which it is used, are operating properly, it is a requirement that the function of the device is confirmed by exposure to target gas (bump check) before each use of the sensor and/or instrument. Failure to carry out such tests may jeopardize the safety of people and property.

Every effort has been made to ensure the accuracy of this document at the time of printing. In accordance with the company's policy of continued product improvement City Technology Limited reserves the right to make product changes without notice. No liability is accepted for any consequential losses, injury or damage resulting from the use of this document or from any omissions or errors herein. The data is given for guidance only. It does not constitute a specification or an offer for sale. The products are always subject to a programme of improvement and testing which may result in some changes in the characteristics quoted. As the products may be used by the client in circumstances beyond the knowledge and control of City Technology Limited, we cannot give any warranty as to the relevance of these particulars to an application. It is the clients' responsibility to carry out the necessary tests to determine the usefulness of the products and to ensure their safety of operation in a particular application.

Performance characteristics on this data sheet outline the performance of newly supplied sensors. Output signal can drift below the lower limit over time.

