

REV	DCO'S AFFECTING THIS DRAWING	DATE	APPROVED
A	INITIAL REL #785	4/29/97	B.H.
D	DCO # 1999 CHANGED TO MAXTEC	24 Nov 03	T.C.

- 1. Output:
10.0 to 15.5 mV in air at 1013 millibar pressure and a temperature range of 23±2 °C
- 2. Operating Temperature:
5° to 40 °C
- 3. Maximum Storage Temperature:
-15° to 50 °C
- 4. Optimal Storage Temperature:
5° to 25 °C
- 5. Range of Measurement (Full Scale):
0 to 100% oxygen
- 6. Zero Offset:
Less than or equal to 0.50 mV when exposed to 99.9% to 100% nitrogen
- 7. 90% Response Time:
Less than or equal to 15 seconds at 23±2 °C
- 8. Linearity:
Within +/- 2.0% of full scale

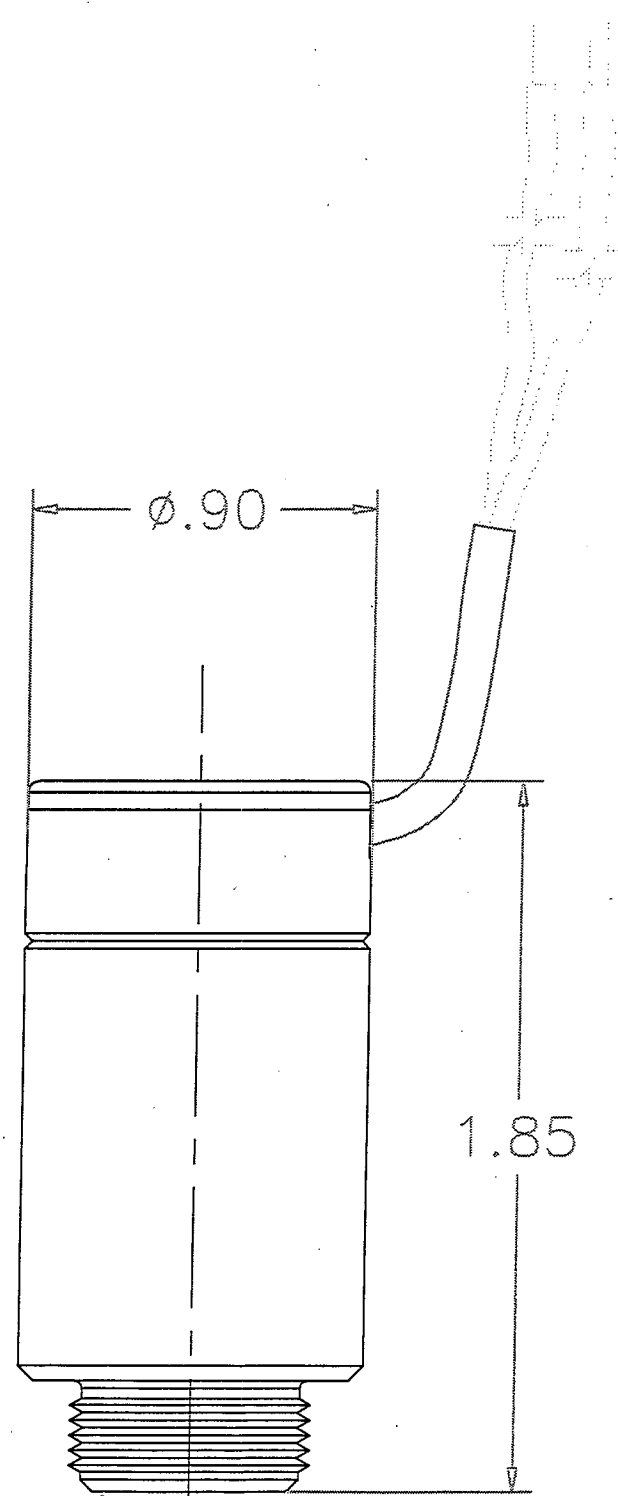
- 9. Stability:
Less than 1% of full scale over an 8 hour period at constant temperature, pressure, and humidity.
- 10. Interference:
Less than 2% of full scale in presence of 75% Nitrous oxide
Less than 2% of full scale in presence of 5% Halothane
Less than 2% of full scale in presence of 5% Isoflurane
Less than 2% of full scale in presence of 5% Enflurane
Less than 2% of full scale in presence of 6% Sevoflurane
Less than 2% of full scale in presence of 15% Desflurane
Less than 2% of full scale in presence of 10% Carbon Dioxide
Less than 2% of full scale in presence of 70% Helium
- 11. Temperature Compensation:
Less than ± 3.0% from 15° to 40°C
- 12. Expected Life
> 900,000% oxygen hours under normal operating conditions
- 13. Humidity
5% to 95% Relative Humidity non-condensing

AUTHORIZED COPY
NOV 24 2003
EFFECTIVE DATE
 VALID ONLY IF THIS STAMP IS RED

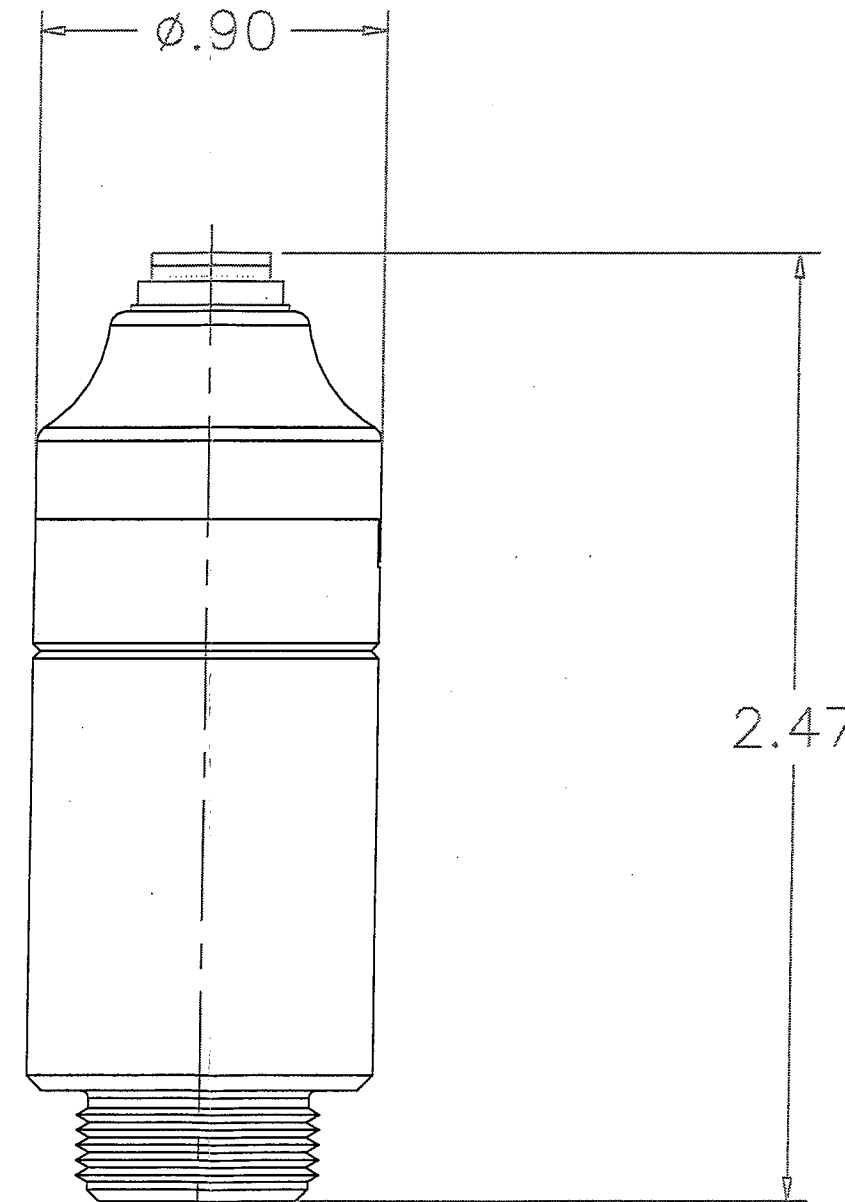
Handwritten: QA INSP 1 Nov 2003

UNLESS OTHERWISE SPECIFIED DIMENSIONS ARE IN INCHES AND PER ANSI Y14.5-1982				maxtec [®] SALT LAKE CITY, UTAH 84107					
.XX = ±.01		ANGLES		SPECIFICATIONS MAX-250 OXYGEN SENSOR					
.XXX = ±.005		±1'30'							
.XXXX = ±.002				SIZE	FSCM NO.	NUMBER	REV		
QA	GORDON ROTH	11/17/03	PREP	E. CUTLER	4/28/97	B	1S815	R125P20	D
MFG	E. MEADS	11/17/03	CHKR	B. HAMATAKE	4/29/97	SCALE NONE		SHEET 1 OF 2	
			ENG	T. COOK	11/17/03				

R125P20 D



M16 x 1 Thread



M16 x 1 Thread

AUTHORIZED COPY
 NOV 24 2003
EFFECTIVE DATE
 VALID ONLY IF THIS STAMP IS RED

SIZE B	FSCM NO. 1S815	NUMBER R125P20	REV D
SCALE NONE	SHEET 2 OF 2		

PROPRIETARY INFORMATION
 MAXTEC INC.

R125P20 D