

REV	DCO'S AFFECTING THIS DRAWING	DATE	APPROVED
A	INITIAL REL. DCO # 1900	12/30/02	OK

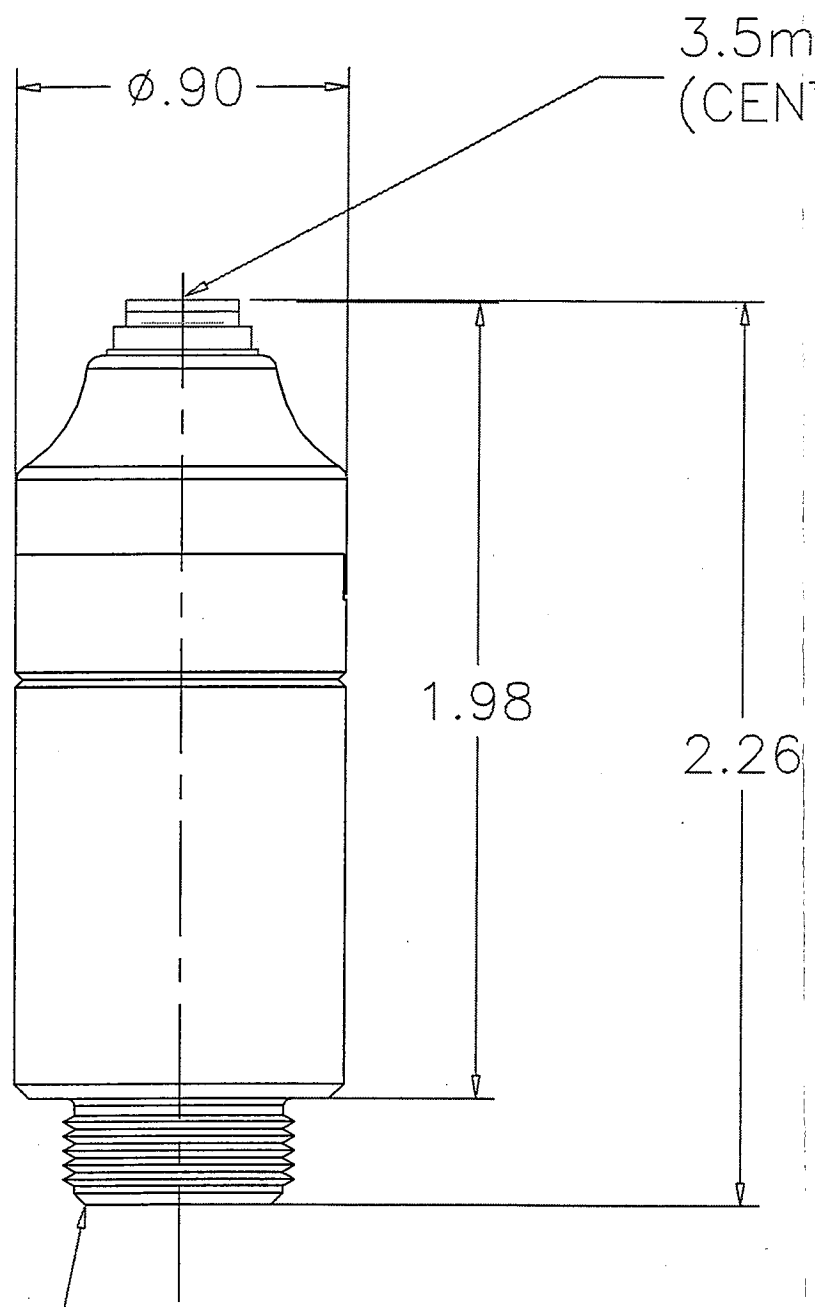
1. Output:  
12.0 to 17.0 mV in air at 1013 millibar pressure and a temperature range of 23±2 °C
2. Operating Temperature:  
5° to 40 °C
3. Maximum Storage Temperature:  
-15° to 50 °C
4. Optimal Storage Temperature:  
5° to 25 °C
5. Range of Measurement (Full Scale):  
0 to 100% oxygen
6. Zero Offset:  
Less than or equal to 0.50 mV when exposed to 99.9% to 100% nitrogen
7. 90% Response Time:  
Less than or equal to 15 seconds at 23±2 °C
8. Linearity:  
Within +/- 2.0% of full scale

9. Stability:  
Less than 1% of full scale over an 8 hour period at constant temperature, pressure, and humidity.
10. Interference:  
Less than 2% of full scale in presence of 75% Nitrous oxide  
Less than 2% of full scale in presence of 5% Halothane  
Less than 2% of full scale in presence of 5% Isoflurane  
Less than 2% of full scale in presence of 5% Enflurane  
Less than 2% of full scale in presence of 6% Sevoflurane  
Less than 2% of full scale in presence of 15% Desflurane  
Less than 2% of full scale in presence of 10% Carbon Dioxide  
Less than 2% of full scale in presence of 70% Helium
11. Temperature Compensation:  
Less than ± 3.0% from 15° to 40°C
12. Expected Life  
> 900,000% oxygen hours under normal operating conditions
13. Humidity  
5% to 95% Relative Humidity non-condensing
14. Electrical Interface:  
3.5mm MonoJack, Female  
(center = negative (-))

**AUTHORIZED COPY**  
NOV 11 2002  
EFFECTIVE DATE  
VALID ONLY IF THIS STAMP IS RED

UNLESS OTHERWISE SPECIFIED DIMENSIONS ARE IN INCHES AND PER ANSI Y14.5-1982				maxtec® SALT LAKE CITY, UTAH 84107			
.XX = ±.01 .XXX = ±.005 .XXXX = ±.002		ANGLES ±1°30'		SPECIFICATIONS MAX-13-250 OXYGEN SENSOR			
QA	8/16/02	PREP D. LARSEN	10/30/02	SIZE B	FSCM NO. 1S815	NUMBER R125P08	REV A
MFG	11/6/02	CHKR	05-NOV-2002	SCALE NONE	SHEET 1 OF 2		
		ENG	05-NOV-2002				

R125P08 A



3.5mm PHONO JACK  
(CENTER = NEGATIVE (-))

M16 x 1 Thread

**AUTHORIZED COPY**  
NOV 11 2002  
EFFECTIVE DATE  
VALID ONLY IF THIS STAMP IS RED

SIZE B	FSCM NO. 1S815	NUMBER R125P08	REV A
SCALE NONE	SHEET 2 OF 2		

PROPRIETARY INFORMATION  
MAXTEC INC.

R125P08 A