


ALL PRODUCT SPECIFICATIONS ARE APPLICABLE AT STANDARD CONDITIONS:
 1013 MILLIBAR, 25° C DRY AIR, AND 600 OHM LOAD ACROSS THE SENSOR TERMINALS.

REV	DCO'S AFFECTING THIS DRAWING	DATE	APPROVED
A	INITIAL REL. # 724	10/28/99	D.S.
B	DCO # 1209 UPDATE DRAWING AND SPEC.		


1. Output:
16.5 ± 2.5 mV
2. Operation:
 1. Temperature: 0 to 40° C
 2. Ambient pressure: 600 – 1750 millibar
 3. Relative Humidity: Up to 100% Rh
(Condensing atmosphere over several hours)
3. Storage Temperature Range:
-20 to 60° C
5 to 30° C Recommended
4. Range of Measurement (Full Scale):
0 to 100% oxygen
5. Zero Offset:
Less than 0.20 mV when exposed to 100% nitrogen for 5 minutes.
6. 90% Response Time:
Less than or equal to 13 seconds 
7. Linearity:
<3.0% of full scale
8. Stability:
Less than 1% of full scale over an 8 hour period between 20% and 100% Oxygen
9. Repeatability:
±1% volume O₂ at 100% O₂ applied for 5 minutes
10. Interference:
Less than 0.5% O₂ response to:
 - 10.0% CO₂ balance N₂
 - 80.0% N₂O balance N₂
 - 7.5% Halothane balance N₂
 - 7.5% Isoflurane balance N₂
 - 7.5% Enflurane balance N₂
 - 9.0% Sevoflurane balance N₂
 - 20.0% Desflurane balance N₂
11. Nominal Sensor Life
500,000% oxygen hours
12. Warm-up Time:
Less than 30 minutes after replacement of sensor.
13. Electrical Interface:
Printed Circuit Board
Center contact negative
Outer contacts independent and postive

UNLESS OTHERWISE SPECIFIED
 DIMENSIONS ARE IN INCHES
 AND PER ANSI Y14.5-1982

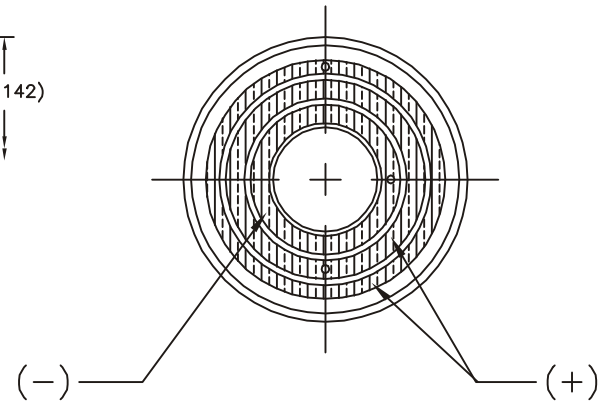
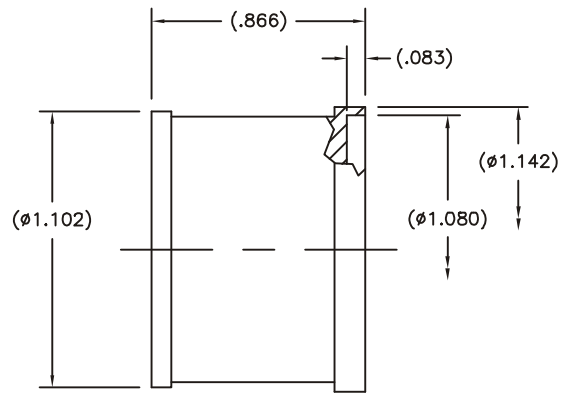
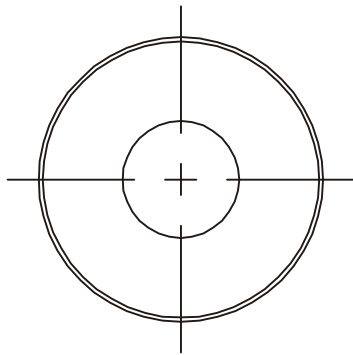
TOL = ±.01
 TOL = ±.005
 TOL = ±.002

ANGLE
 ±1'30'

QA G. ROTH	3/23/99	PREP E. CUTLER	10/28/96
MFG G. POELAKKER	13/23/99	CHKR D. SANDERSON	10/28/96
		ENG D. GOETZ	3/23/99

 SALT LAKE CITY, UTAH 84119			
SPECIFICATION, MAX-11 OXYGEN SENSOR			
SIZE B	FSCM NO. 1S815	NUMBER R113P15	REV B
SCALE NONE		SHEET 1 OF 2	

PROPRIETARY INFORMATION
 MAXTEC, INC.



NOTES UNLESS OTHERWISE SPECIFIED

1. DIMENSIONS ARE FOR AN UNLABELED SENSOR.

SIZE B	FSCM NO. 1S815	NUMBER R113P15	REV B
SCALE .50 = 1.0		SHEET 2 OF 2	

PROPRIETARY INFORMATION
MAXTEC, INC.

R113P15 B