

## Key Features & Benefits:

- Robust 3-Series packaging
- Industry standard 4-20 mA output

### Technical Specifications

#### MEASUREMENT

<b>Sensor Type Used</b>	3HYE
<b>Filter</b>	None
<b>Output</b>	4-20 mA d.c., two wire loop powered
<b>Response Time (T<sub>90</sub>)</b>	<70 Seconds at 20°C
<b>Resolution</b>	10 ppm
<b>Zero Shift (-20°C to +40°C)</b>	< -150 ppm equivalent
<b>Repeatability</b>	2% of signal
<b>Linearity</b>	Linear

#### ELECTRICAL

<b>Power Supply Required</b>	10 - 35 VDC single-ended
<b>Calibration</b>	Via built-in push buttons

#### MECHANICAL

<b>Mounting</b>	Via mounting nose supplied
<b>Weight</b>	58 g including mounting accessory
<b>Position Sensitivity</b>	None

#### ENVIRONMENTAL

<b>Operating Temperature Range</b>	-20°C to +50°C
<b>Recommended Storage Temp</b>	0°C to 20°C
<b>Temperature Compensation</b>	None
<b>Operating Pressure Range</b>	Atmospheric ± 10%
<b>Pressure Coefficient</b>	0.006% signal/mBar
<b>Operating Humidity Range</b>	15 - 90% RH non-condensing

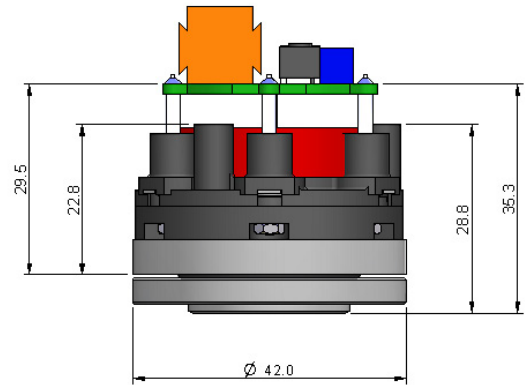
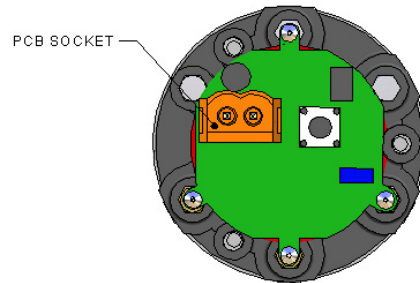
#### LIFETIME

<b>Long Term Sensitivity Drift</b>	<2% signal loss/month
<b>Expected Operating Life</b>	Two years in air
<b>Storage Life</b>	6 months in CTL container
<b>Standard Warranty</b>	12 months from date of despatch

#### IMPORTANT NOTE:

All performance data is based on conditions at 20°C, 50% RH and 1013 mBar. For further information on the operation and calibration of City Technology EasyCal 4-20mA transmitters, please refer to OP-13.

### Product Dimensions



All dimensions in mm  
All tolerances ±0.15 mm unless otherwise stated

#### RANGES AVAILABLE

The 3HYE CiTiceL 4-20 mA EasyCal Transmitter is available with one precalibrated range, but can be recalibrated to intermediate ranges.

Range	Order Code
0-20,000 ppm	2TE20-1A

## Poisoning

CiTiceLs are designed for operation in a wide range of environments and harsh conditions. However, it is important that exposure to high concentrations of solvent vapours is avoided, both during storage, fitting into instruments and operation.

When using sensors with printed circuit boards (PCBs), degreasing agents should be used before the sensor is fitted. Do not glue directly on or near the CiTiceL as the solvent may cause crazing of the plastic.

## Cross Sensitivity Table

Whilst CiTiceLs are designed to be highly specific to the gas they are intended to measure, they will still respond to some degree to various other gases. The table below is not exclusive and other gases not included in the table may still cause a sensor to react.

Gas	Concentration Used (ppm)	3HYE (ppm H <sub>2</sub> )
Carbon Monoxide, CO	300	<120
Hydrogen Sulfide, H <sub>2</sub> S	15	≈10
Sulfur Dioxide, SO <sub>2</sub>	5	0
Nitric Oxide, NO	35	<10
Nitrogen Dioxide, NO <sub>2</sub>	5	0
Chlorine, Cl <sub>2</sub>	1	0
Hydrogen Cyanide, HCN	10	≈10
Hydrogen Chloride, HCl	5	0
Ethylene, C <sub>2</sub> H <sub>4</sub>	100	≈40

The cross-sensitivity values quoted are based on tests conducted on a small number of sensors. They are intended to indicate sensor response to gases other than the target gas. Sensors may behave differently with changes in ambient conditions and any batch may show significant variation from the values quoted.

### **SAFETY NOTE**

This sensor is designed to be used in safety critical applications. To ensure that the sensor and/or instrument in which it is used, are operating properly, it is a requirement that the function of the device is confirmed by exposure to target gas (bump check) before each use of the sensor and/or instrument. Failure to carry out such tests may jeopardize the safety of people and property.

Every effort has been made to ensure the accuracy of this document at the time of printing. In accordance with the company's policy of continued product improvement City Technology Limited reserves the right to make product changes without notice. No liability is accepted for any consequential losses, injury or damage resulting from the use of this document or from any omissions or errors herein. The data is given for guidance only. It does not constitute a specification or an offer for sale. The products are always subject to a programme of improvement and testing which may result in some changes in the characteristics quoted. As the products may be used by the client in circumstances beyond the knowledge and control of City Technology Limited, we cannot give any warranty as to the relevance of these particulars to an application. It is the clients' responsibility to carry out the necessary tests to determine the usefulness of the products and to ensure their safety of operation in a particular application.

Performance characteristics on this data sheet outline the performance of newly supplied sensors. Output signal can drift below the lower limit over time