

ME3-H₂ Gas Sensors Manual

1 Feature

ME series H₂ sensors have low consumption , small size, high sensitivity, wide range of linearity , and better anti-jamming capacity, good reproducibility , stability and reliability ect advantage . It is electrochemical sensor widely suits for industry and environmental protection field ect .



2 Application

Type	Detecting Object	Use	Remark
ME3- H ₂	H ₂	Detecting H ₂ in industry and environmental protection field	

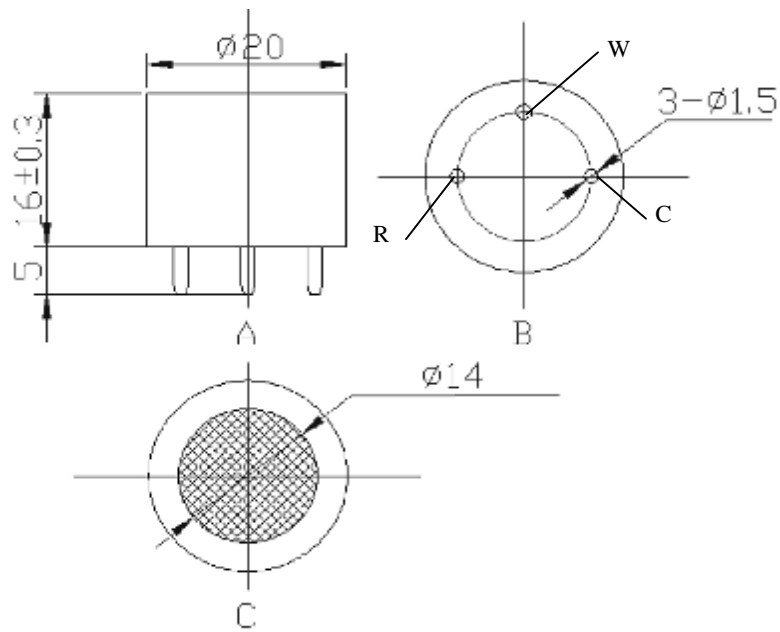
3 Feature

3.1 Parameter

3.1.1 Basic feature

Measurement Range	0-1000ppm	Remark
Sensitivity(μ A/ppm)	0.05 ± 0.02	
Reproducibility	Output signal $\pm 2\%$	
Response time(t_{90}) s	≤ 30	
Signal attenuation	$\leq 2\%$	/month
Zero drift (ppm)	-10~10	Clean air
Temperature range (°C)	-20~+50	
Temperature drift (ppm)	≤ 10	20~50°C
Humidity range	$\leq 95\%RH$	
Pressure range (kPa)	90~110	
Storage temperature (°C)	0~20	Recommendation
Storage period (month)	6	
Anticipated using life (month)	>24	
Max detecting concentration (ppm)	2000	

3.1.2 Products external dimension



A—left view B—planform C—upward view

Chart 1. products external dimension

3.2 Gas sensitivity

3.2.1 ME3- H₂ type electrochemical sensor concentration response characteristic curve

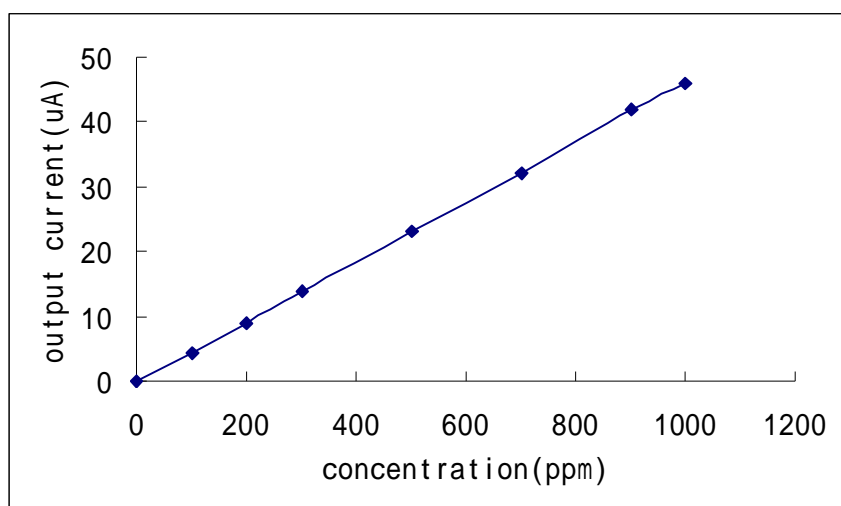


Chart 2 .sensitivity curve

3.2.2 ME3-H₂ type electrochemical sensor response , resume time and output current relation curve

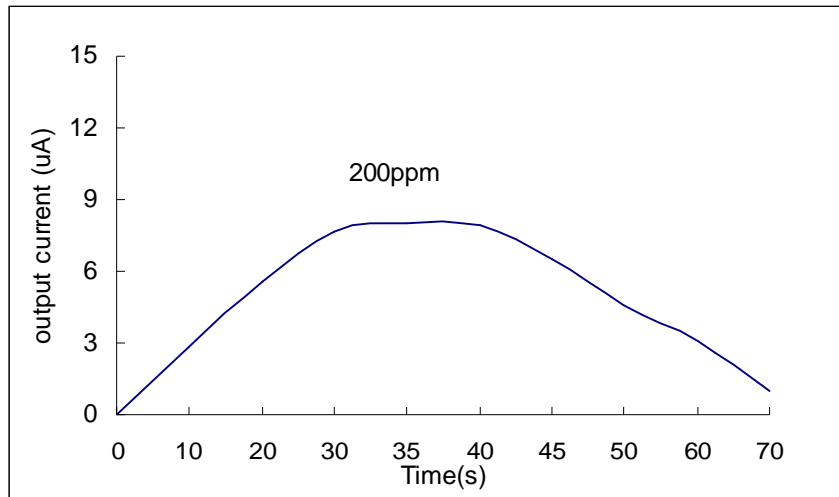


Chart 3 response and resume curve

3.2.3 Temperature characteristic

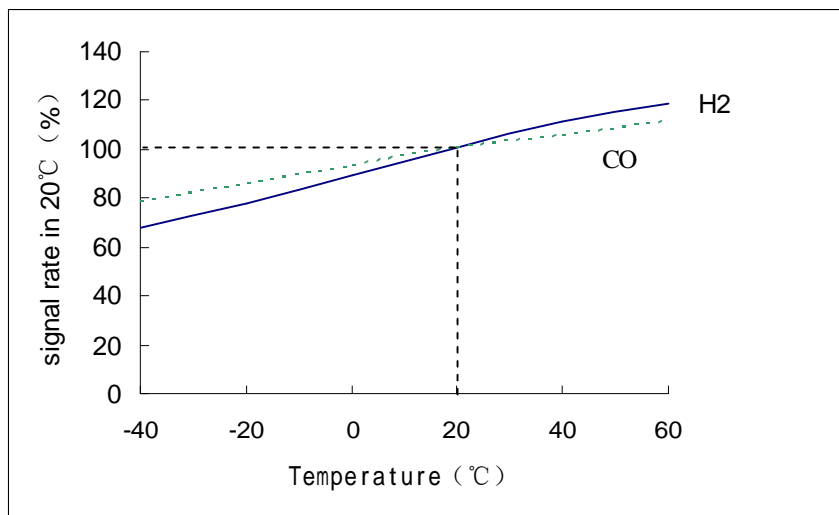


Chart 4. Temperature curve