

PERFORMANCE (measured using Carbon Monoxide)

Range 0 - 100 ppm
 Sensitivity..... 440 - 1080nA/ppm ETO
 Zero in air at 20 °C..... -200 to +2500 nA
 Resolution..... 1 ppm ETO
 Linearitylinear across range
 Response time, t90 <45 s
 Long-term output drift.....<2% signal/month
 Warranty 2 years

OPERATING CONDITIONS

Temperature range -20 to +50 °C
 Operating humidity..... 15 - 90% RH (non-condensing)
 Pressure range 90 - 110 kPa (nominal)
 Operating circuit..... see Electrochemical Toxic Sensor Application Note
 Applied potential +300 mV
 Storage life..... 6 months in original packaging (0 - 25 °C)

PHYSICAL CHARACTERISTICS

Label coloursilver
 Weight..... 5 g approx.
 Dimensionssee outline

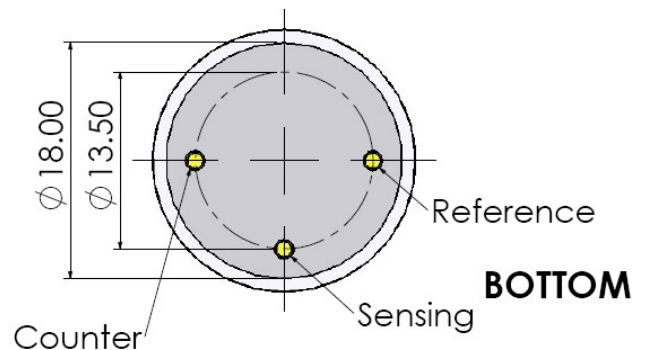
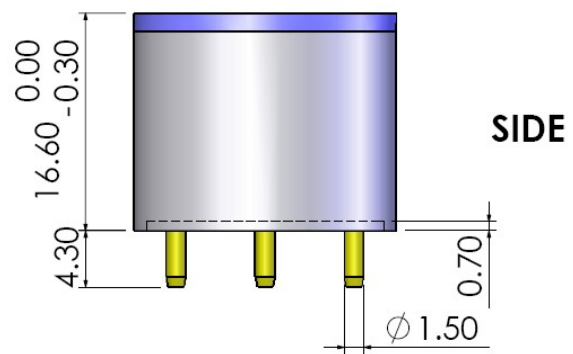
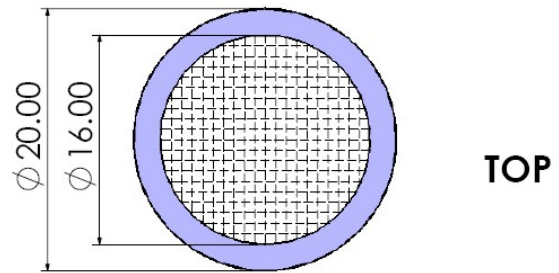
This device is designed to be RoHS compliant.

CROSS-SENSITIVITY DATA

GAS	Concentration ppm	Sensor Response (As ppm CO)
Carbon Monoxide	100	100
Ethylene Oxide	100	1056
Ethanol	100	325
Methanol	100	800
Propan-1-Ol	100	207
Butan-1-ene	100	279
1,3 Butadiene	100	915
Ethene	100	342
Propene	100	310
Vinyl Chloride	100	113
Vinyl Acetate	100	511
Formic Acid	100	167
Formaldehyde	100	715
Acrylonitrile	100	113

Note: This table is for reference only. Calibration should be carried out with the actual gas at a known concentration.

OUTLINE



All dimensions in mm.
 All tolerances ± 0.15 mm unless otherwise stated.

Whilst e2v technologies has taken care to ensure the accuracy of the information contained herein it accepts no responsibility for the consequences of any use thereof and also reserves the right to change the specification of goods without notice. e2v technologies accepts no liability beyond the set out in its standard conditions of sale in respect of infringement of third party patents arising from the use of tubes or other devices in accordance with information contained herein.

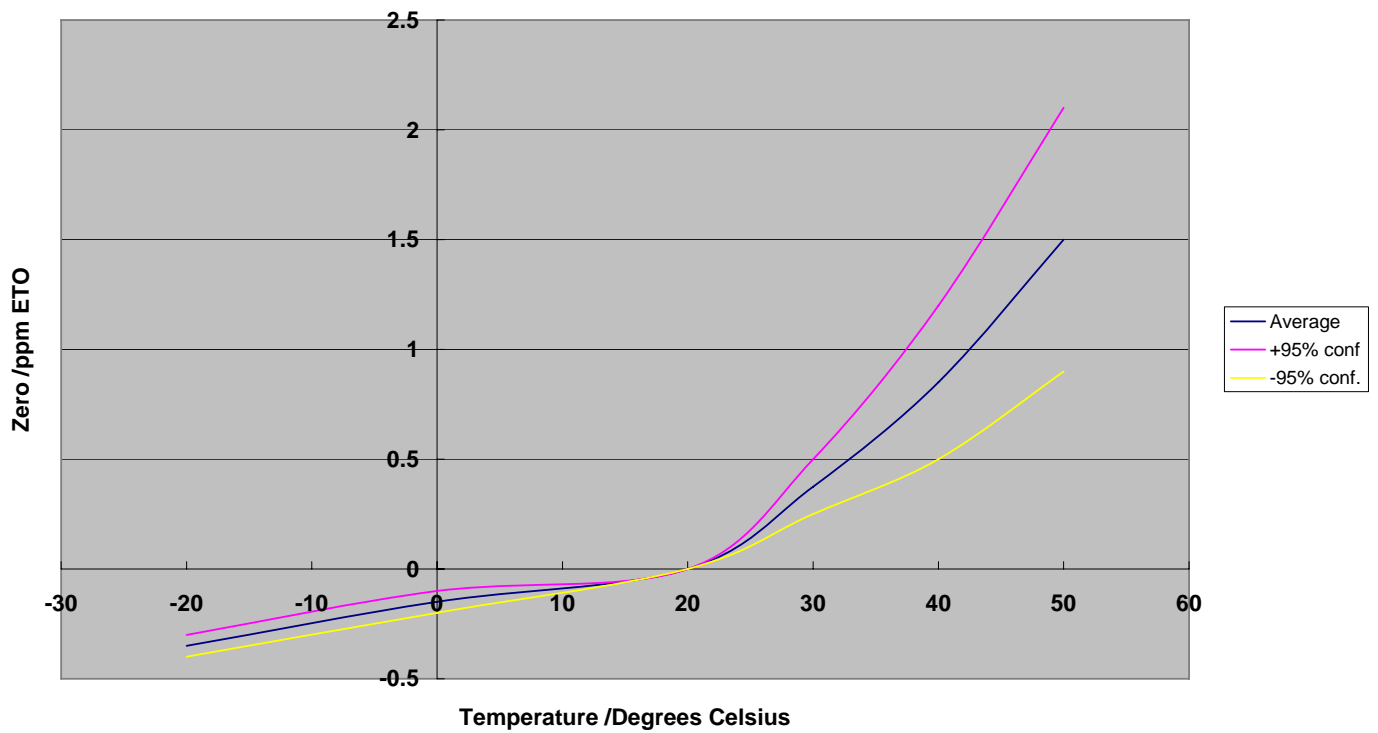
e2v technologies (uk) limited, Waterhouse Lane, Chelmsford, Essex CM1 2QU United Kingdom Telephone: +44 (0)1245 493493 Facsimile: +44 (0)1245 492492

e-mail: enquiries@e2v.com Internet: www.e2v.com Holding Company: e2v technologies plc

e2v technologies inc. 4 Westchester Plaza, PO Box 1482, Elmsford, NY10523-1482 USA Telephone: (914) 592-6050 Facsimile: (914) 592-5148 e-mail: enquiries@e2vtechnologies.us

TEMPERATURE DEPENDENCE

EC4-100-ETO Graph of Zero vs Temperature



EC4-100-ETO Graph of Sensitivity vs Temperature

