

## Micro Sensor - CO

### Operating Performance

Operating Principle	3-electrode electrochemical
Gas Detected	Carbon Monoxide
Measurement Range	0-1,000ppm
Maximum Overload	2000ppm
Expected Operating Life	Three years in air
Output Signal	0.035 ± 0.015µA per ppm
Temperature Range	-20°C to +50°C
Pressure Range	1 atm ± 10%
Humidity Range (non-condensing)	Continuous: 15-90% RH Intermittent: 0-99% RH
Response Time (T <sup>5</sup> <sub>90</sub> )	< 45 seconds
Baseline Range (clean air)	±10ppm equivalent
Zero Shift (=20°C to =40°C)	<+4ppm
Long Term Output Drift	-4% per year
Repeatability	±5% of signal
Linearity	±5% up to 1000ppm
Recommended Load Resistor	100Ω
Blas Voltage	Not required

### Intrinsic Safety Data

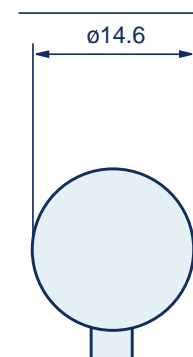
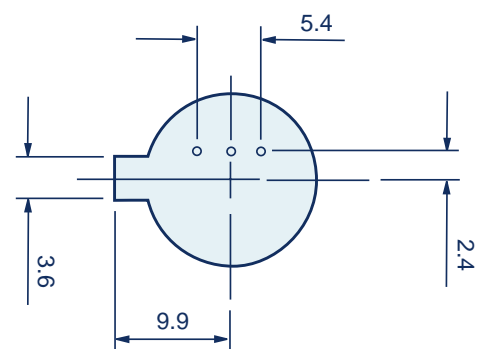
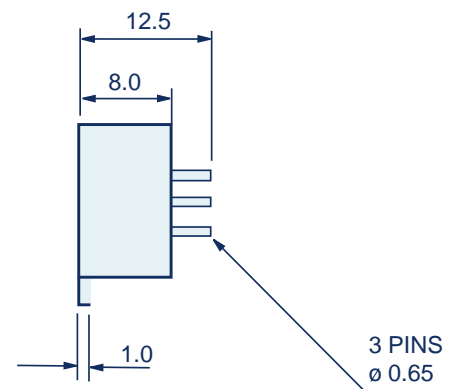
Maximum at 2,000ppm	0.10mA
Maximum o/c Voltage	1.3V
Maximum s/c Current	1.0A

### Physical Specification

Weight	Approx 1.5g
Housing Material	Polycarbonate (green)
Storage Life	6 months in sealed container
Storage Conditions	10-20°C, 45-75% RH in clean air
Orientation	Any
Warranty Period	12 months from date of despatch

### Ordering Details

Part Number	2112B1600
Order From	Sixth Sense 4 Stinsford Road, Poole, Dorset, England BH17 0RZ Tel: (44) 01202 645770 Fax: (44) 01202 665331 e.mail: sensors@sixth-sense.com www.sixthsense.com

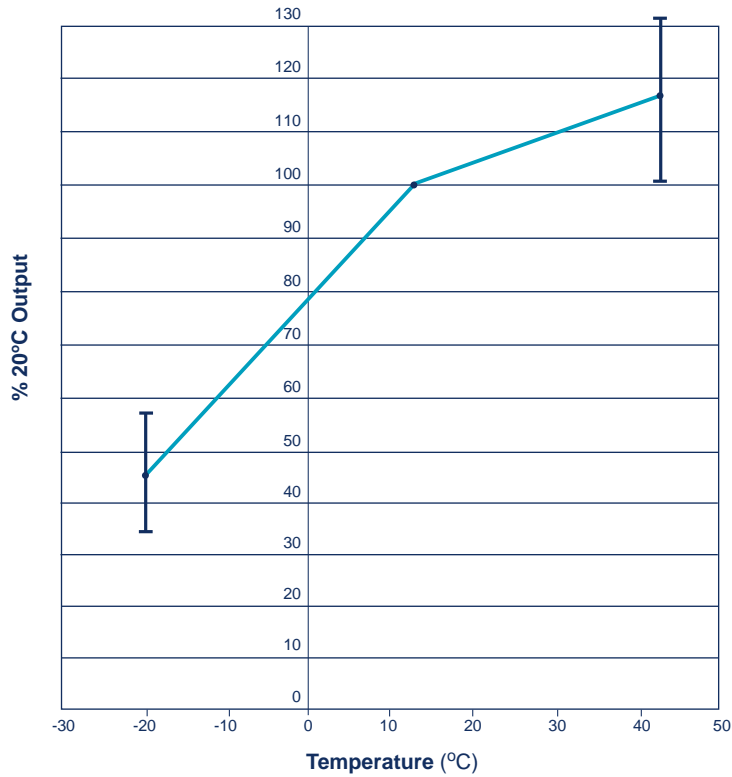




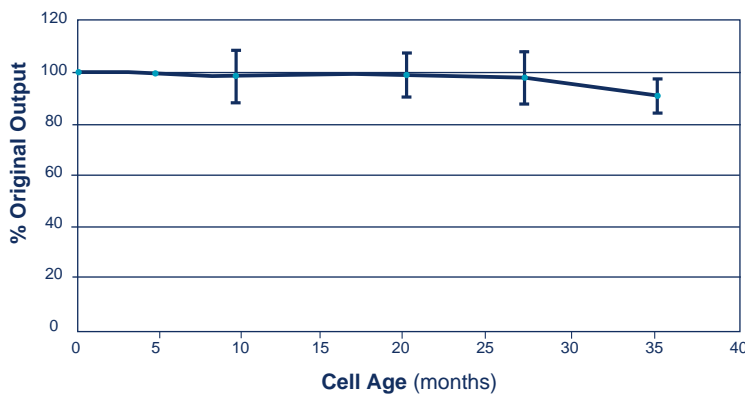
## Additional Information

Innovation, Quality and Expertise for Gas Detection.

**Co Micro Temperature Profile (200ppm Carbon Monoxide)**



**CO Micro Life Tests (100ppm Carbon Monoxide)**



Cross Sensitivity Data		
Gas	Concentration	Typical CO <sub>2</sub> Equivalent
Carbon Dioxide	100ppm	<0.1
Carbon Monoxide	100ppm	100ppm
Chlorine	100ppm	<0.1
Ethylene	100ppm	243
Hydrogen	100ppm	20
Hydrogen Sulphide	100ppm	<0.1
Methane	100ppm	<0.1
Nitric Oxide	100ppm	23
Nitrogen Dioxide	100ppm	<0.1
Sulphur Dioxide	100ppm	<0.1

In the interest of product improvement Sixth Sense reserve the right to alter design features and specifications without notice.