



Carbon Monoxide MediceLs[®]

A2E/F Characteristics

Nominal Range	0-200ppm
Maximum Overload	1000ppm
Output Signal	10.15±0.03µA/ppm
Typical Baseline Range (pure air)	<3ppm
Maximum Zero Shift (-20°C to +40°C)	<5ppm
Bias Voltage	Zero
Recommended Gain	2.2
Weight	25g

A3E/F Characteristics

Nominal Range	0-2000ppm
Maximum Overload	4000ppm
Output Signal	0.075±0.025µA/ppm
Typical Baseline Range (pure air)	-2 to +17ppm equivalent
Bias Voltage	² 0 or +250mV
Recommended Gain	0.5 to 2.5
Weight	26g

Note 1: in recommended circuit with Gain=2.2

Note 2: User adjusts Gain to set H₂ to zero

Performance Characteristics

Inboard Filter	To remove acid gases/alcohol
Auxiliary Electrode	To compensate for H ₂ cross-interference
Expected Operating Life	3 years
Resolution	1ppm
Temperature Range	-20°C to +50 °C
Pressure	
Operating Range	800-1200mBar
Storage Range	800-1200mBar
Max Diff (capillary to amb.)	±100mBar
Pressure Coefficient	0.02% signal/mBar
T₉₀ Response Time	<40 seconds
Relative Humidity Range	15% to 90% non-condensing
Long Term Output Drift	<10% signal loss/year
Repeatability	2% of signal
Output Linearity	Linear

A2E/F Cross Sensitivity Data

Gas	Response
Hydrogen (H ₂)	-4 to + 4%
Hydrogen Sulphide (H ₂ S)	None
Sulphur Dioxide (SO ₂)	None
Nitric Oxide (NO)	None
Nitrogen Dioxide (NO ₂)	None
Hydrogen Chloride (HCl)	None

A3E/F Cross Sensitivity Data

Gas	Response
Hydrogen (H ₂)	
Bias: 0mV	<5%
Bias: 250mV	<1%
Hydrogen Sulphide (H ₂ S)	None
Sulphur Dioxide (SO ₂)	None
Nitric Oxide (NO)	None
Nitrogen Dioxide (NO ₂)	None
Hydrogen Chloride (HCl)	None

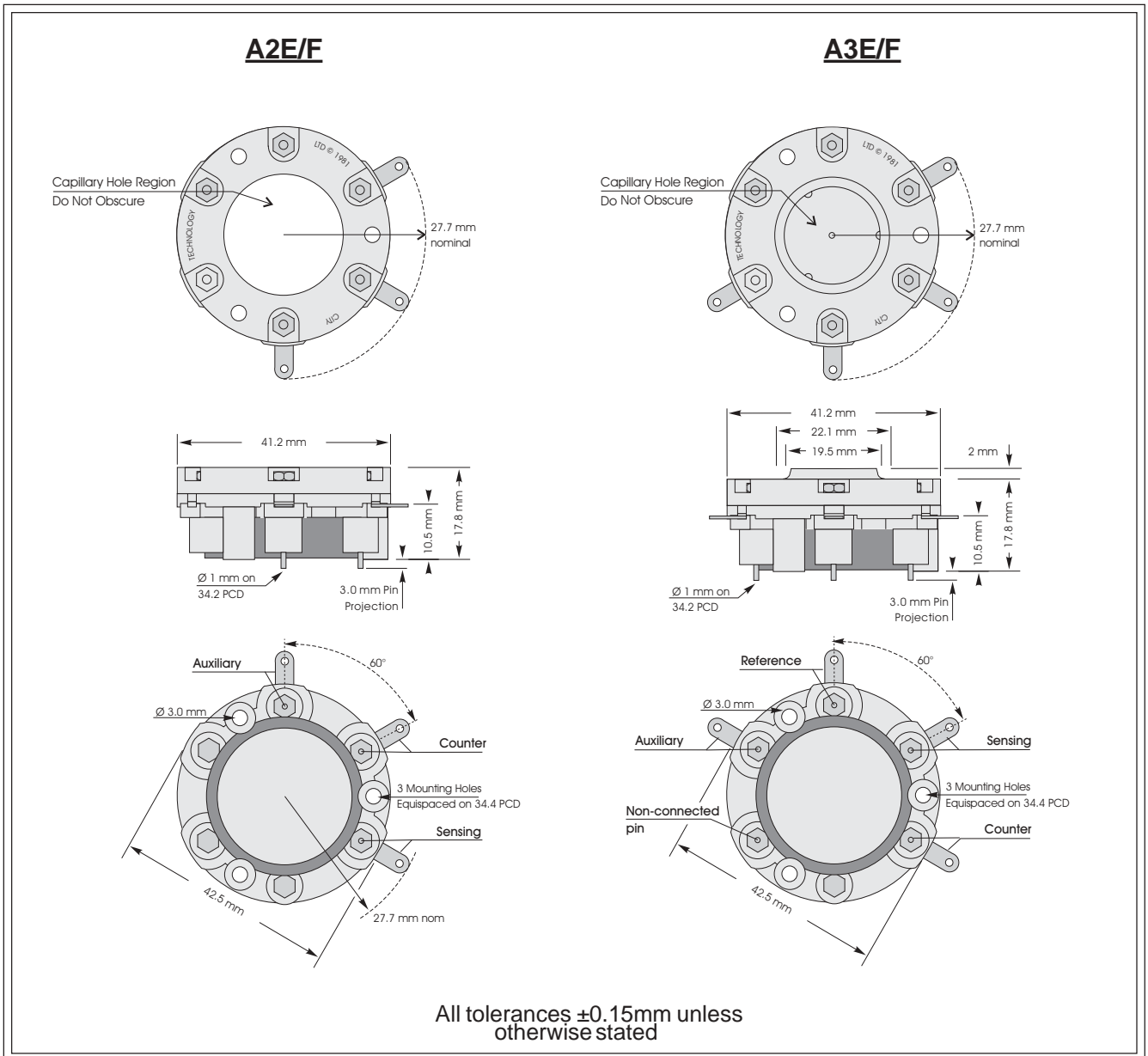
Products

A2E/F	Two-electrode CO sensor with auxiliary electrode for H ₂ compensation
A3E/F	Three-electrode CO sensor with auxiliary electrode for H ₂ compensation

Physical Characteristics

Position Sensitivity	None
Storage Life	Six months in CTL container
Recommended Storage Temperature	0-20°C
Colour Coded Ring	Red
Warranty Period	12 months from date of despatch

Carbon Monoxide MediceL[®] Specification



Every effort has been made to ensure the accuracy of this document at the time of printing. In accordance with the company's policy of continued product improvement City Technology Limited reserves the right to make product changes without notice. No liability is accepted for any consequential losses, injury or damage resulting from the use of this document or from any omissions or errors herein. The data is given for guidance only. It does not constitute a specification or an offer for sale. The products are always subject to a programme of improvement and testing which may result in some changes in the characteristics quoted. As the products may be used by the client in circumstances beyond the knowledge and control of City Technology Limited, we cannot give any warranty as to the relevance of these particulars to an application. It is the clients' responsibility to carry out the necessary tests to determine the usefulness of the products and to ensure their safety of operation in a particular application.

Performance characteristics on this data sheet outline the performance of newly supplied sensors. Output signal can drift below the lower limit over time.