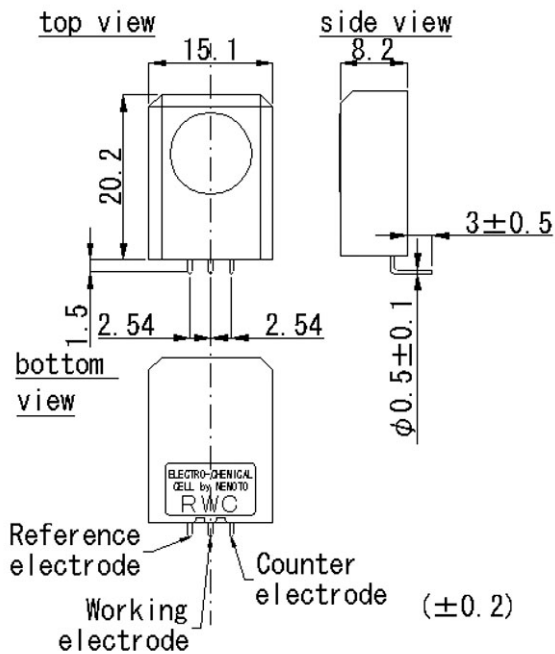
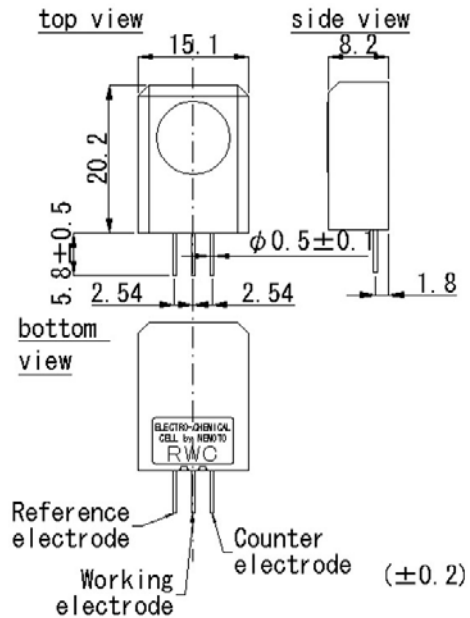


NAP-508

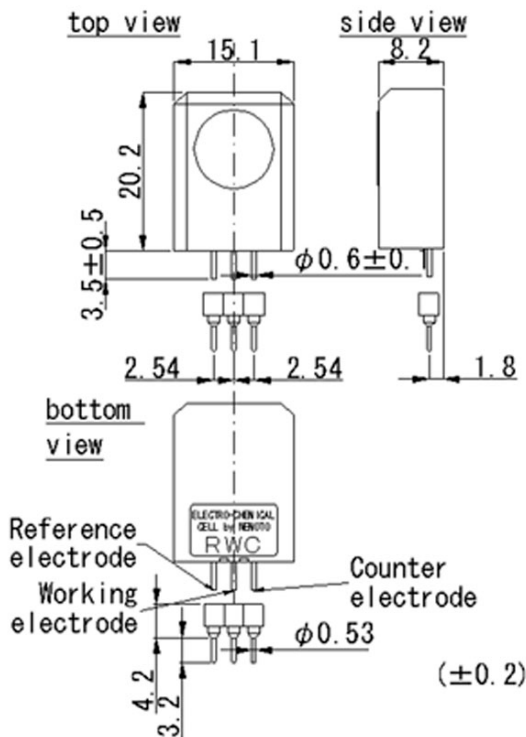
NAP-508 is a newly-developed CO gas sensors, the expected lifetime is over 10 years in the actual circumstance. The appearance and structure is exactly the same as NAP-505, however this NAP-508 is applicable for home-electronics or fire alarm equipment owing to this long lifetime over 10 years. Please contact us for detailed information.



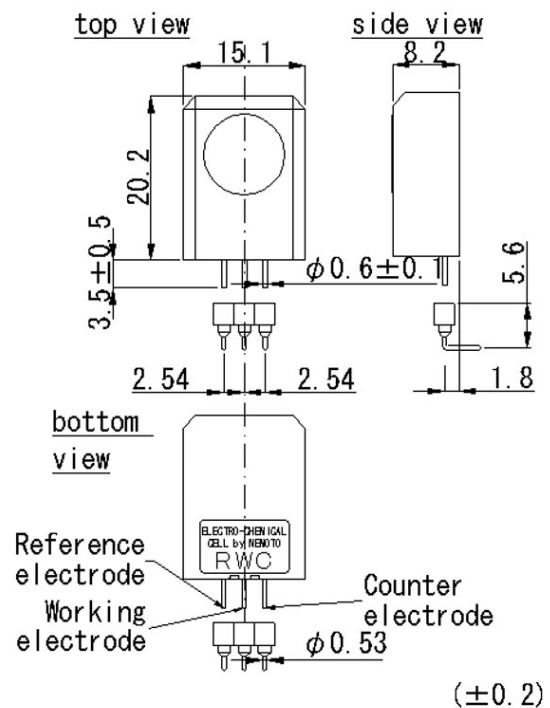
Structure of NAP-508R



Structure of NAP-508S



Structure of NAP-508SS



Structure of NAP-508RS

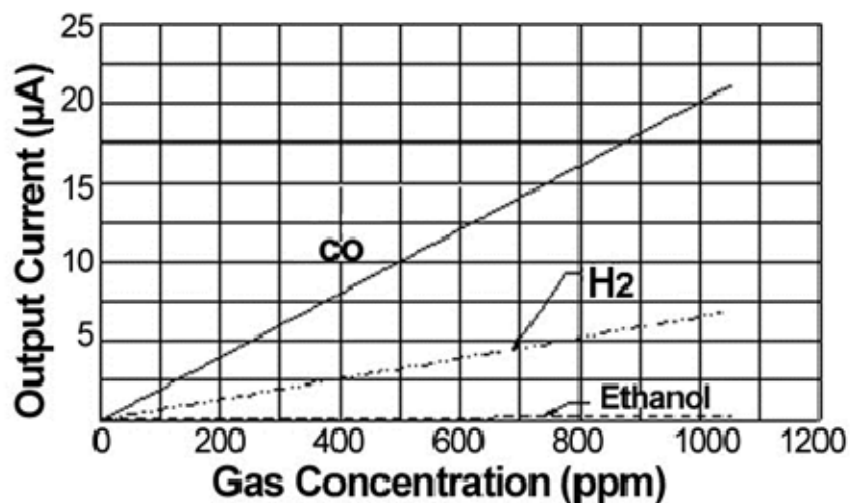


Fig. Gas sensitivity of NAP-508

• Characteristics

Detection range	CO 0 - 1,000ppm	Zero point drift	<10ppm (-20 - +50°C)
Output current	20 ± 5nA/ppmCO	Ambient Temp. & humidity in operation	-20 - +50°C, 15 - 90%RH
Repeatability	Less than ± 2%	Span drift	Less than 3%/Year
Response time	T90: Within 30 sec.	Expected lifetime	More than 10 years