

# Microsens Semiconductor Gas Sensor

## MSGS-3001 Carbon Monoxide Gas Sensor

### General description

#### Operating principle

The measurement of specific oxidizing or reducing gases is based on reversible conductivity change of the sensing element.

#### Sensor description

■ MSGS-3001 Integrated semi-conductor carbon monoxide (CO) gas sensors are manufactured using standard microelectronic technology and silicon micromachining techniques.

■ The batch fabrication process of MSGS-3001 miniaturized gas sensors presents the advantages of low cost, reproducibility, small size and low power consumption.

■ The MSGS-3001 structure consists of a doped tin-oxide ( $\text{SnO}_2$ ) thin-film layer over an embedded thin film heater (figure 1). This integrated heater resistance ( $R_H$ ) is used to control the sensitive layer temperature which is necessary for Chemisorption/Reaction

mechanisms to properly occur. These mechanisms modifies the sensitive layer resistance ( $R_S$ ) by reversible electron charge transfer from surface states to the conduction band.

■ The operating temperature is controlled by  $V_H$  applied on the heater resistor ( $R_H$ ). A polarization voltage ( $V_S$ ) is applied to the sensitive layer which resistance can be measured using an electric circuit shown in figure 4. The 4-pins package is indicated on figure 2.

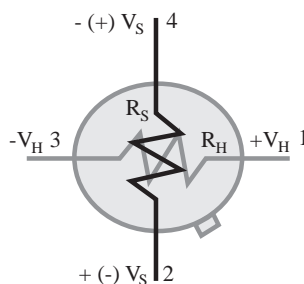


Figure 2: Sensor equivalent circuit (Top View)

PIN NUMBER	
1	Heater Power
2	Sensor Pin
3	Heater Ground
4	Sensor Pin

### Features

- Sensitivity range: 5 to over 1000 ppm CO
- Low humidity dependence in recommended operation mode
- Stable long-term operation
- Active charcoal filter for enhanced selectivity
- Low power consumption
- Small size
- Durable nylon exterior shell with steel mesh Sensor Pin

### Application examples

- Security
- Residential CO Detectors
- Industrial Stationary and Portable CO Detectors and Probes
- Combustion control
- Environment
- Indoor air quality
- Industrial process control

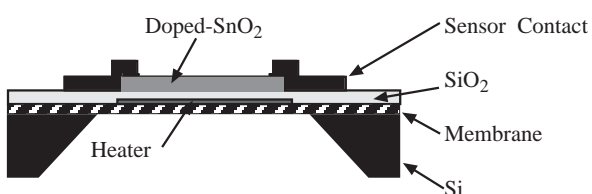


Figure 1: Schematic drawing

## MSGS-3001 CO Sensor specifications <sup>1-2</sup>

### Device specifications <sup>1</sup>

- Chip Dimensions:  
1.4mm x 1.4mm x 0.38 mm
- Sensor Dimensions mounted on a TO-39 package with a filter:  
Ø = 10.3 mm; h = 24.0 mm
- Typical thermal loss coefficient:  
 $\beta = 0.12 \text{ mW}/^\circ\text{C}$   
 $\beta = \frac{\partial P}{\partial T}$ ;  $\beta = P/(T-T_a)$
- P = heating power (mW)
- T<sub>a</sub> = ambient temperature (°C)
- T = gas sensor temperature (°C)

**Table 1: Absolute Maximum Ratings**

Rating	Symbol	Value	Unit
Maximum Heater Supply Voltage (pins 1 & 3)	V <sub>H</sub>	2	V
Maximum Heater Supply Current (pins 1 & 3)	I <sub>H</sub>	32	mA
Maximum Sensor Circuit Voltage (pins 2 & 4)	V <sub>S</sub>	5	V
Maximum Heater Power Dissipation	P <sub>H</sub>	65	mW
Maximum Sensor Power Dissipation	P <sub>S</sub>	1	mW
Maximum Heating Voltage Ramp	t <sub>HR</sub>	0.2	V/ms
Operating Ambient Temperature	T <sub>ao</sub>	0 to + 50	°C
Storage Temperature Range	T <sub>sto</sub>	-40 to + 70	°C

**Table 2. Recommended Electrical Operating Conditions**

Characteristics	Symbol	Typical value	Unit
Heating Voltage - Low - 10 seconds (pins 1 & 3)	V <sub>H</sub>	0.8	V
Heating Voltage - High - 5 seconds (pins 1 & 3)	V <sub>H</sub>	1.8	V
Heater current - Low - 10 seconds (pins 1 & 3)	I <sub>H</sub>	24	mA
Heater current - High - 5 seconds (pins 1 & 3)	I <sub>H</sub>	31	mA
Heater Power Dissipation - Low - 10 seconds	P <sub>H</sub>	20	mW
Heater Power Dissipation - High - 5 seconds	P <sub>H</sub>	56	mW
Average Power Consumption	P <sub>H</sub>	32	mW
Heater Resistance (V <sub>H</sub> = 0 volt)	R <sub>H</sub> (T <sub>a</sub> )	23	Ω
Heater Resistance (V <sub>H</sub> = 1.8 volt)	R <sub>H</sub> (T <sub>High</sub> )	57	Ω
Load Resistance	R <sub>L</sub>	Variable (P <sub>S</sub> <1mW)	Ω

**Table 3. Sensitivity Characteristics<sup>3</sup>**

Characteristics	Symbol	Typical value	Unit
Sensor Resistance (in Synthetic air)	R <sub>S</sub> (air)	36	MΩ
Sensor Resistance (in 100 ppm CO)	R <sub>S</sub> (100)	4	MΩ
Sensor Ratio R(air)/R <sub>S</sub> (100)	S(air/100)	9	---
Sensor Ratio R(air)/R <sub>S</sub> (60)	S(air/60)	6	---
Sensor Ratio R(air)/R <sub>S</sub> (15)	S(air/15)	2	---
Sensor Ratio R(15)/R <sub>S</sub> (100)	S(15/100)	4	---

**Notes:**

1. The following specifications apply to the MSGS-3001 CO sensor are subject to change to accommodate continuous improvement.
2. The heating conditions limits must be observed and limited as described in Table 1. Permanent damage may occur if the maximum power is exceeded.
3. Based on recommended operation:  
V<sub>H</sub>(High temperature) = 1.8 volt (5 sec.);  
V<sub>H</sub>(Low temperature) = 0.8 volt (10 sec.)

**Standard test conditions:** R<sub>H</sub> = 50 ± 2%; T<sub>a</sub> = 23 ± 1°C. The measurement is performed at the end of the "**Low**" temperature phase.

## Measurement test circuits

Two different basic electric circuits which can be used with the gas sensors are presented on the figure 4. The amplifier system (2) presents however the advantage of maintaining a constant voltage  $V_C$  on the sensitive layer. A constant-current test circuit can also be used for the gas sensors, considering the recommendation of Table 1 (maximum power sensor dissipation of 1 mW).

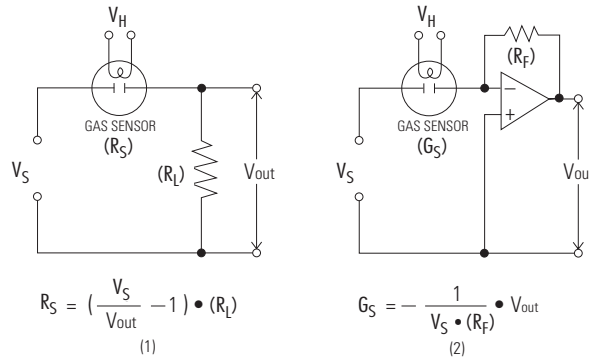
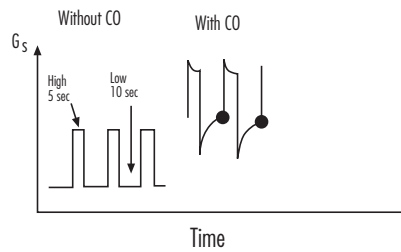


Figure 4: Basic electric circuit for gas sensor



- Point of measurement
- $G_S$  = Conductance of the Gas Sensor

Figure 5: Principle of the operating mode

## Mode of operation

### Principle

An operating mode based on a sequence of two heater temperatures is used for the CO detection. This operating mode increases the CO sensitivity while the influence of humidity is minimized. During the "High" temperature period (5 seconds), water and contaminants are removed from the surface of the sensitive layer, while the thermal energy of the adsorbed oxygen species is increased which causes a drastically higher catalytic conversion from CO to CO<sub>2</sub>. The CO measurement is carried out at the end of the "Low" temperature phase (10 seconds).

### Humidity Influence

Figure 7 presents results obtained in different relative humidity. These results confirm the efficiency of the operating mode proposed to decrease the moisture influence.

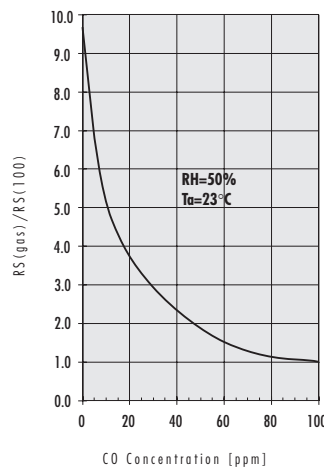


Figure 6: CO Sensitivity

## Sensors precautions

- Avoid to overheat the sensor (see Table 1)
- ESD protection is required when handling these devices

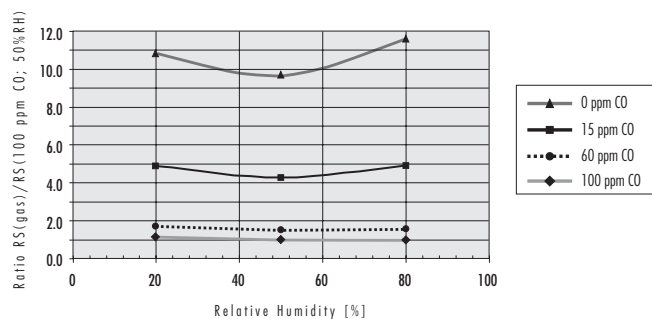
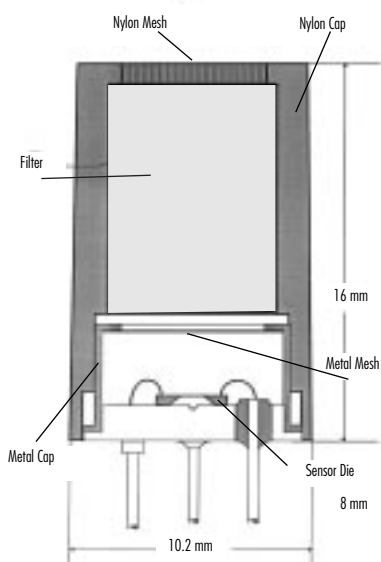
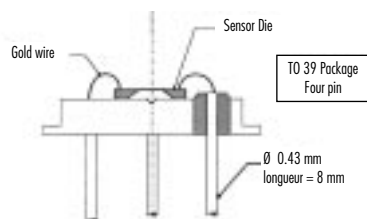
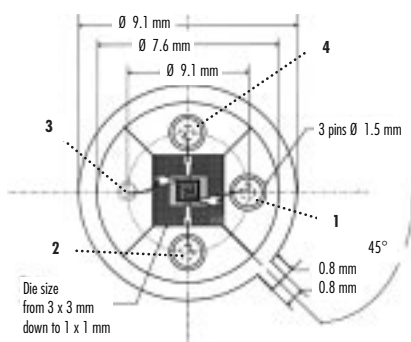


Figure 7: Humidity Influence (Ta=23°C)

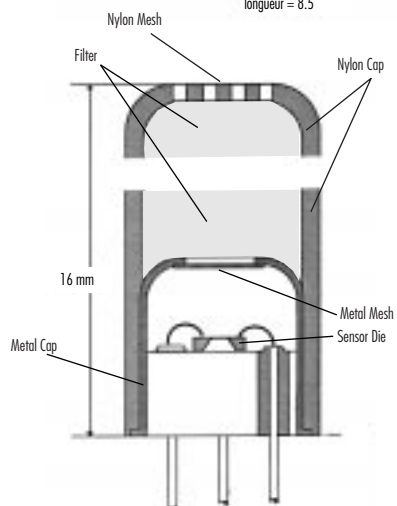
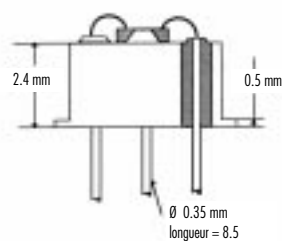
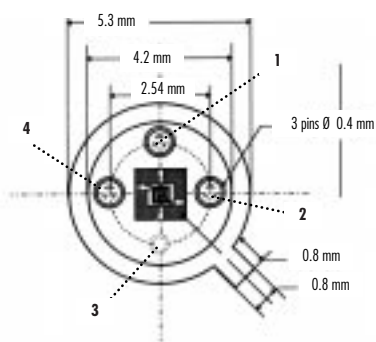
## Packaging characteristics

■ The standard packaging used a TO-39 support. A charcoal filter placed in a nylon casing reduces the effects of interfering gases.

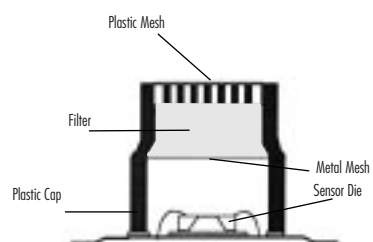
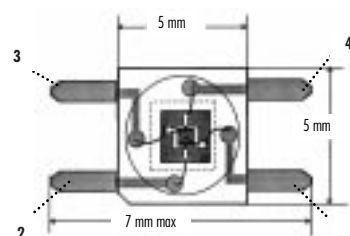
MSGS-3001-B  
TO-39 PACKAGE



MSGS-3001-D  
TO-18 PACKAGE



MSGS-3001-E  
PLASTIC PACKAGE



MICROSENS SA

Rue Jaquet-Droz 1, CH-2007 Neuchâtel/Switzerland

Tél.: ++41-32-720 51 51, Fax: ++41-32-720 57 12

e-mail: [microsens@centredoc.ch](mailto:microsens@centredoc.ch)