

ME3-CO Gas Sensor Manual

1 Feature

ME series CO sensors have low consumption , mini size , high sensitivity , wide range of linearity , and better anti-jamming capacity , good reproducibility , stability and reliability ect advantage. It is widely used for mine , industry and environmental protection field ect .



2 Application

Type	Detecting Object	Use	Remark
ME3-CO	CO	Detecting CO in industry, mine and environmental protection	

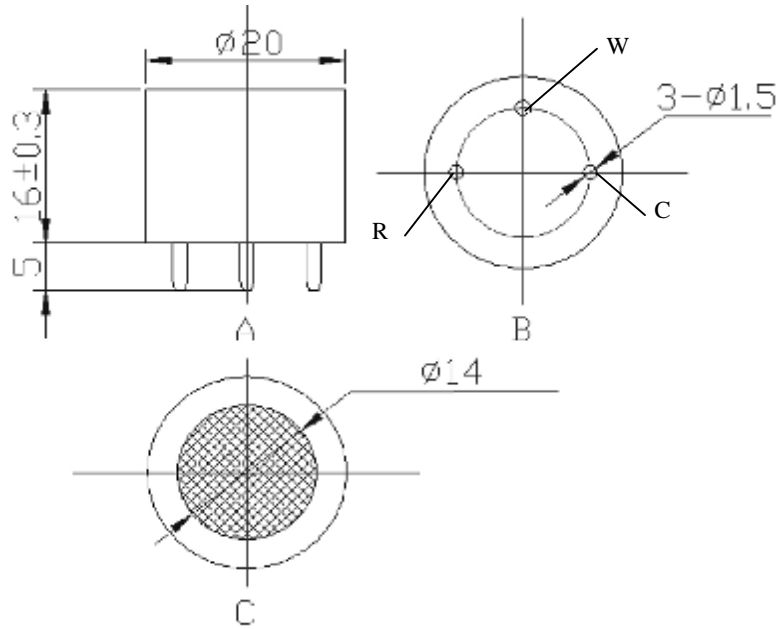
3 Feature

3.1 Parameter

3.1.1 Basic feature

Type	ME3-CO		
Measurement Range	0-500ppm	0-1000ppm	Remark
Sensitivity(μ A/ppm)	0.08 \pm 0.02	0.06 \pm 0.02	
Reproducibility	Output signal \pm 2%	Output signal \pm 2%	
Response time(t_{90}) s	\leq 30	\leq 30	
Signal attenuation	\leq 2%	\leq 2%	/month
Zero Drift (ppm)	-2~10	-2~10	Clean air
Temperature range (°C)	-20~+50	-20~+50	
Temperature drift (ppm)	\leq 10	\leq 10	20~50°C
Humidity range	\leq 95%RH	\leq 95%RH	
Pressure range (kPa)	90~110	90~110	
Storage temperature (°C)	0~20	0~20	Recommendati
Storage period (month)	6	6	
Anticipated using life (month)	>24	>24	
Max detecting concentration	1000	2000	

3.1.2 Products external dimension



A—left view B—planform C—upward view

Chart 1. products external dimension

3.2 Sensitivity

3.2.1 ME3-CO type electrochemical sensors' concentration response characteristic curve

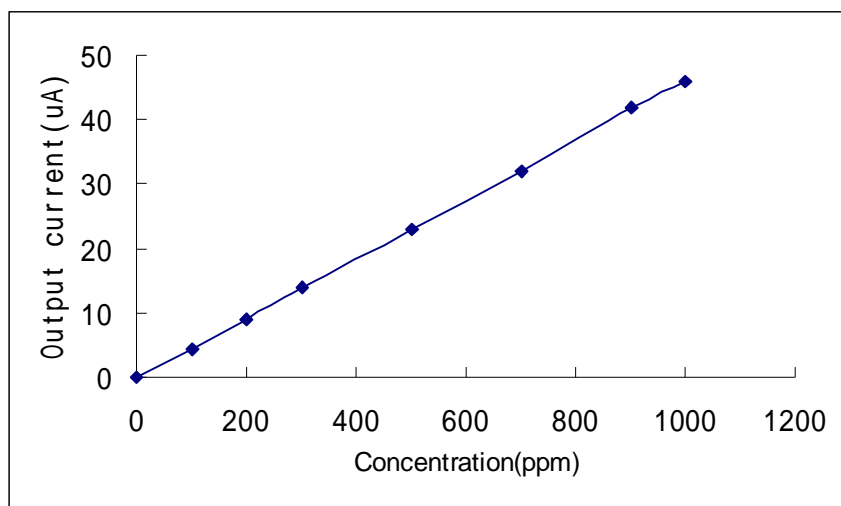


Chart 2 sensitivity curve

3.2.2 ME3-CO type electrochemical sensors' response , resume time and output current relation curve

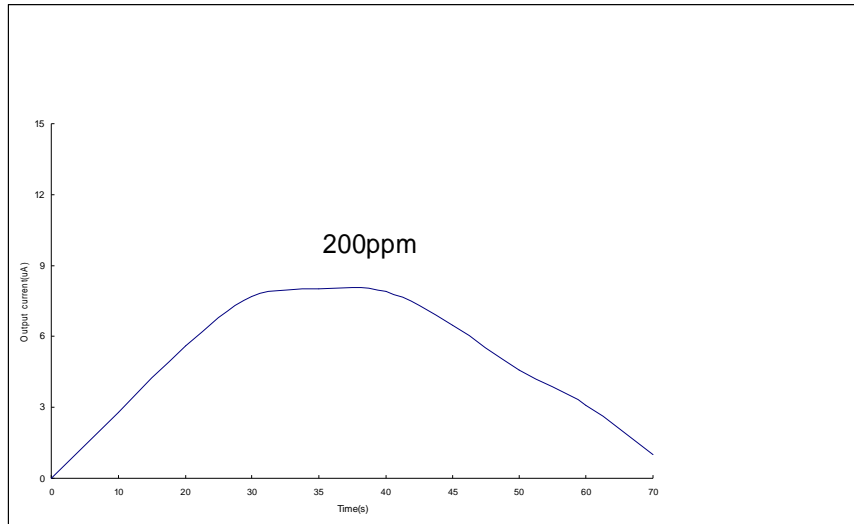


Chart 3.response and resume curve

3.2.3 Temperature characteristic

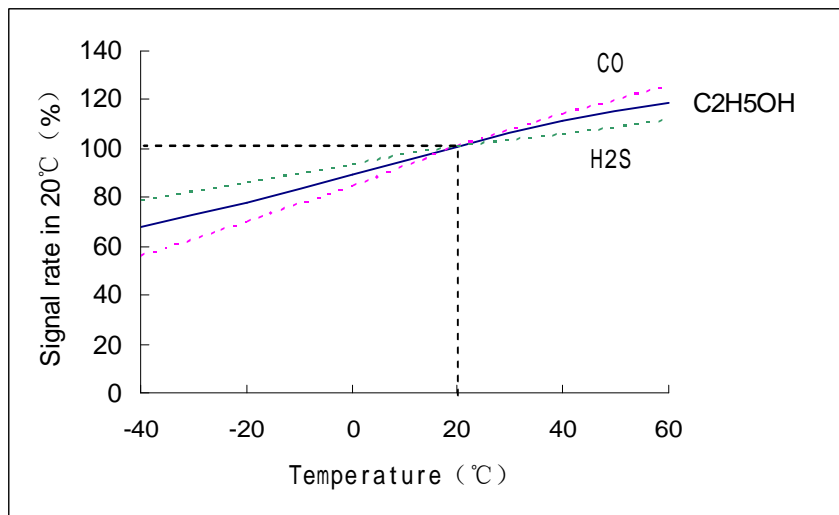


Chart 4.Temperature curve