

- Key Features & Benefits:**
- Robust, 3-Series packaging
  - Range of accessories available

**Technical Specifications**

**MEASUREMENT**

<b>Operating Principle</b>	3-electrode electrochemical
<b>Measurement Range</b>	0-40,000 ppm CO
<b>Maximum Overload</b>	100,000 ppm CO
<b>Filter</b>	None
<b>Sensitivity</b>	0.007 ± 0.002 µA/ppm
<b>Resolution</b>	10 ppm CO
<b>Response Time (T<sub>90</sub>)</b>	<30 seconds
<b>Baseline Offset (clean air)</b>	-20 to +30 ppm equivalent
<b>Zero Shift (+20°C to +40°C)</b>	<200 ppm equivalent
<b>Repeatability</b>	1% of signal
<b>Linearity</b>	Linear

**ELECTRICAL**

<b>Recommended Load Resistor</b>	10 Ω
<b>Bias Voltage</b>	Not Required

**MECHANICAL**

<b>Weight</b>	22 g
<b>Housing Material</b>	20% Glass Filled Polypropylene
<b>Orientation</b>	Any

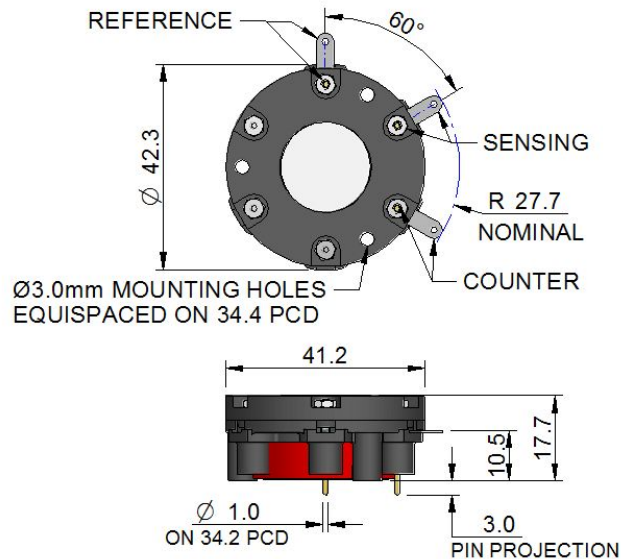
**ENVIRONMENTAL**

<b>Typical Applications</b>	Fixed Life Safety
<b>Operating Temperature Range</b>	-20°C to +50°C
<b>Recommended Storage Temp</b>	0°C to 20°C
<b>Operating Pressure Range</b>	Atmospheric ± 10%
<b>Operating Humidity Range</b>	15 - 90% RH non-condensing

**LIFETIME**

<b>Long Term Sensitivity Drift</b>	<2% signal loss/month
<b>Expected Operating Life</b>	Three years in air
<b>Storage Life</b>	6 months in CTL container
<b>Standard Warranty</b>	12 months from date of despatch

**Product Dimensions**



All dimensions in mm  
All tolerances ±0.15 mm  
unless otherwise stated

**AVAILABLE OPTIONS**

Sensor	Description	Part Number
3M	With side tag and PCB pin connections	AB008-J30
3M(S)	With side tag connection	AB008-030
3M(G)	With gold-plated PCB pin connection	AB008-330

**IMPORTANT NOTE:**

Soldering to the pin connections will seriously damage the sensor and invalidate the warranty.

All performance data is based on conditions at 20°C, 50% RH and 1013 mBar, using City Technology recommended circuitry. For sensor performance data under other conditions, refer to Operating Principles OP08 or contact City Technology.



## Poisoning

CiTiceLs are designed for operation in a wide range of environments and harsh conditions. However, it is important that exposure to high concentrations of solvent vapours is avoided, both during storage, fitting into instruments and operation.

When using sensors with printed circuit boards (PCBs), degreasing agents should be used before the sensor is fitted. Do not glue directly on or near the CiTiceL as the solvent may cause crazing of the plastic.

## Cross Sensitivity Table

Whilst CiTiceLs are designed to be highly specific to the gas they are intended to measure, they will still respond to some degree to various gases. The table below is not exclusive and other gases not included in the table may still cause a sensor to react.

Gas	Concentration Used	3M (ppm CO)
Hydrogen Sulfide, H <sub>2</sub> S	1000	≈ 3500
Sulfur Dioxide, SO <sub>2</sub>	1000	650
Hydrogen, H <sub>2</sub>	1000	<1000
Nitric Oxide, NO	1000	≈ 250

The cross-sensitivity values quoted are based on tests conducted on a small number of sensors. They are intended to indicate sensor response to gases other than the target gas. Sensors may behave differently with changes in ambient conditions and any batch may show significant variation from the values quoted.

### **SAFETY NOTE**

This sensor is designed to be used in safety critical applications. To ensure that the sensor and/or instrument in which it is used, are operating properly, it is a requirement that the function of the device is confirmed by exposure to target gas (bump check) before each use of the sensor and/or instrument. Failure to carry out such tests may jeopardize the safety of people and property.

Every effort has been made to ensure the accuracy of this document at the time of printing. In accordance with the company's policy of continued product improvement City Technology Limited reserves the right to make product changes without notice. No liability is accepted for any consequential losses, injury or damage resulting from the use of this document or from any omissions or errors herein. The data is given for guidance only. It does not constitute a specification or an offer for sale. The products are always subject to a programme of improvement and testing which may result in some changes in the characteristics quoted. As the products may be used by the client in circumstances beyond the knowledge and control of City Technology Limited, we cannot give any warranty as to the relevance of these particulars to an application. It is the clients' responsibility to carry out the necessary tests to determine the usefulness of the products and to ensure their safety of operation in a particular application. Performance characteristics on this data sheet outline the performance of newly supplied sensors. Output signal can drift below the lower limit over time