

ME3-NH₃ Gas Sensors Manual

1 Feature

ME series NH₃ sensors have low consumption , small size, high sensitivity, wide range of linearity , and better anti-jamming capacity, good reproducibility , stability and reliability ect advantage . It is electrochemical sensor widely suits for industry and environmental protection field ect .



2 Application

Type	Detecting Gas	Application	Remark
ME3-NH3	NH ₃	Detecting NH3 in industry and environmental protection field	

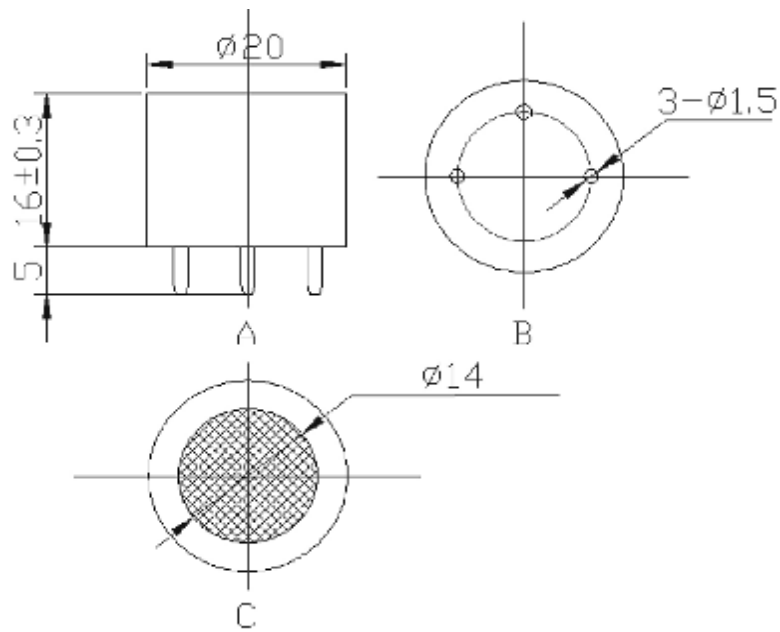
3 Feature

3.1 Parameter

3.1.1 Basic feature

Type	ME3-NH ₃	
Measurement Range	0-50ppm	Remark
Sensitivity(μA/ppm)	0.1±0.03	
Reproducibility	Output signal ±	
Response time(t ₉₀) s	≤30	
Signal attenuation	≤2%	/month
Zero drift (ppm)	-3~10	Clean air
Temperature range (°C)	-20~+50	
Temperature drift (ppm)	≤10	20~50°C
Humidity range	≤95%RH	
Pressure range (kPa)	90~110	
Storage temperature (°C)	0~20	Recommendation
Storage period (month)	6	
Anticipated using life (month)	>12 (2ppmNH ₃)	
Max detecting concentration	200	

3.1.2 Products external dimension



A—left view B—planform C—upward view

Chart 1. products external dimension

3.2 Gas sensitivity

3.2.1 ME3-NH₃ type electrochemical sensor concentration response characteristic curve

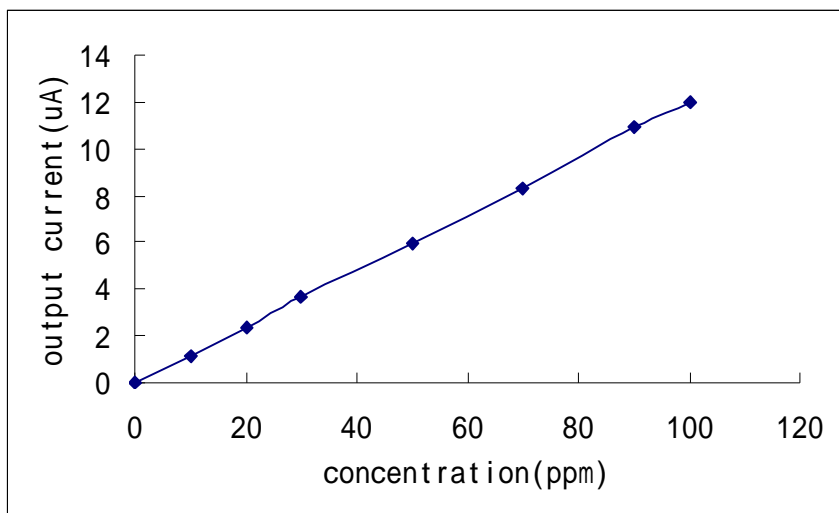


Chart 2 .sensitivity curve

3.2.2 ME3-NH₃ type electrochemistry sensors' response , resume time and output current relation curve

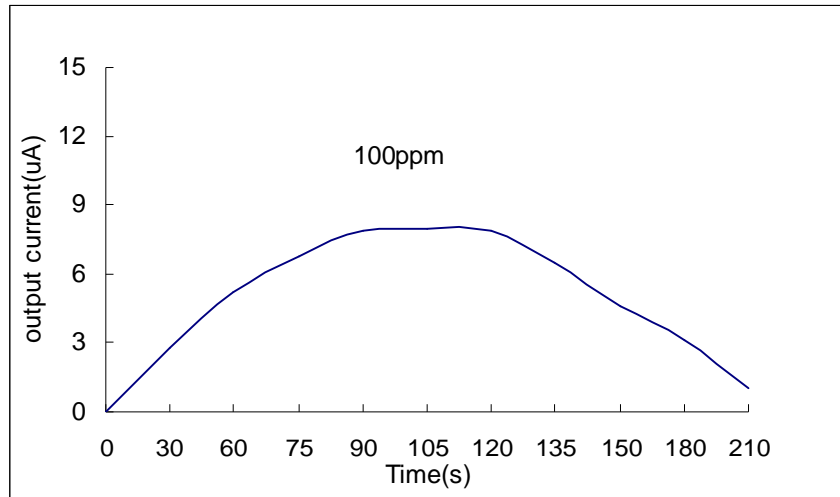


Chart 3.response and resume curve

3.2.3 Temperature characteristic

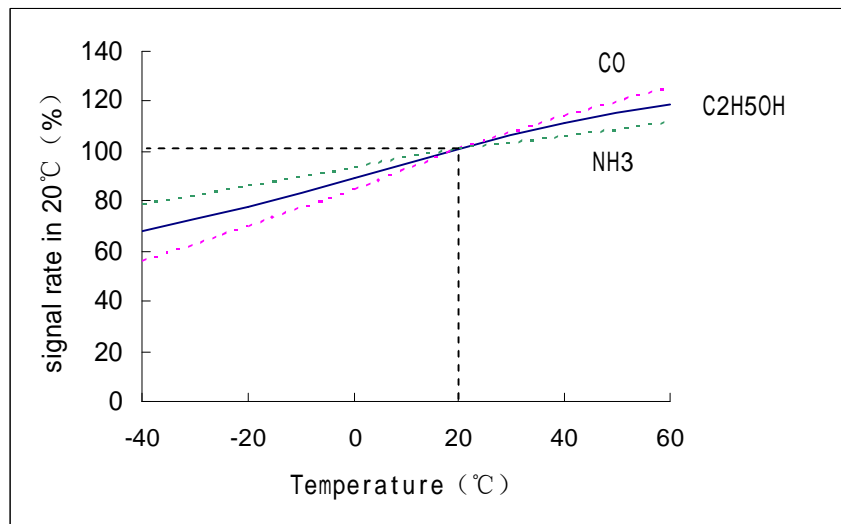


Chart 4 .Temperature curve